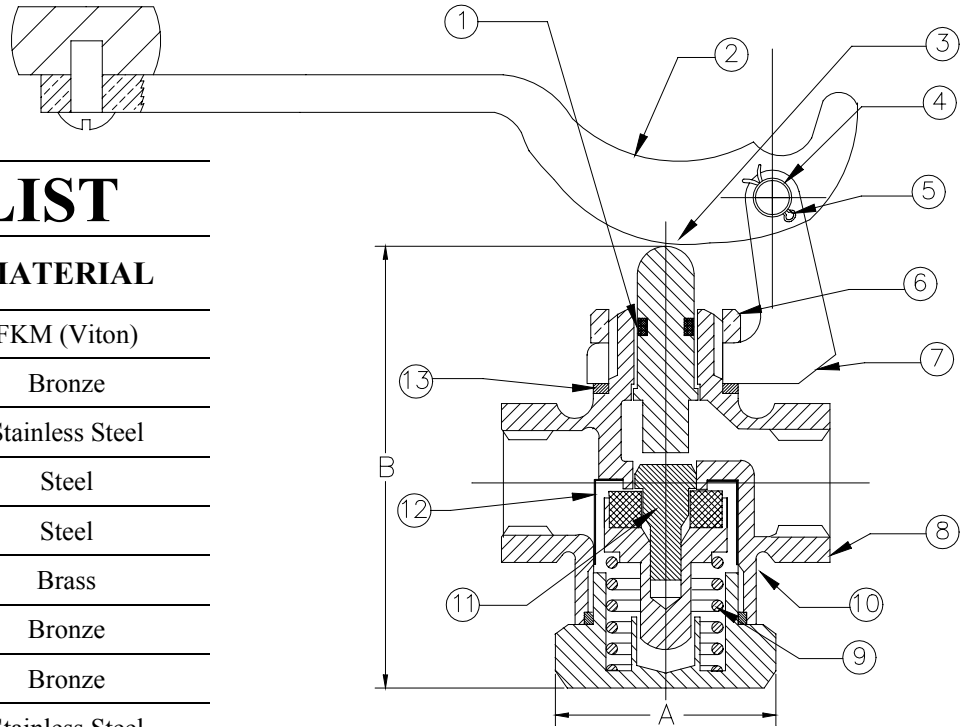




UNITED BRASS WORKS, INC.
 714 S. Main St., Randleman, NC 27317
 Tel: 800-334-3035 Fax: 800-498-4696 www.ubw.com



Model 44SS Whistle Valve
Quick-Opening Self-Closing Globe Valve
With Yoke & Lever
Built-In Strainer Screen
150WSP • 400 WOG
100% Pressure Tested
Threaded Ends
PTFE Disc • Integral Seat



MATERIAL LIST

NO.	DESCRIPTION	MATERIAL
1	O-Ring	FKM (Viton)
2	Lever	Bronze
3	Stem	Stainless Steel
4	Clevis Pin	Steel
5	Cotter Pin	Steel
6	Lock Nut	Brass
7	Yoke	Bronze
8	Body	Bronze
9	Spring	Stainless Steel
10	Cap	Brass
11	Disc Holder	Brass
12	Screen	Stainless Steel
13	Lock Washer	Copper

	A	B	Qty. Per Ctn.
44NY 1/4"	1.88	2.50	12



UNITED BRASS WORKS, INC.
 714 S. Main St., Randleman, NC 27317
 Tel: 800-334-3035 Fax: 800-498-4696 www.ubw.com



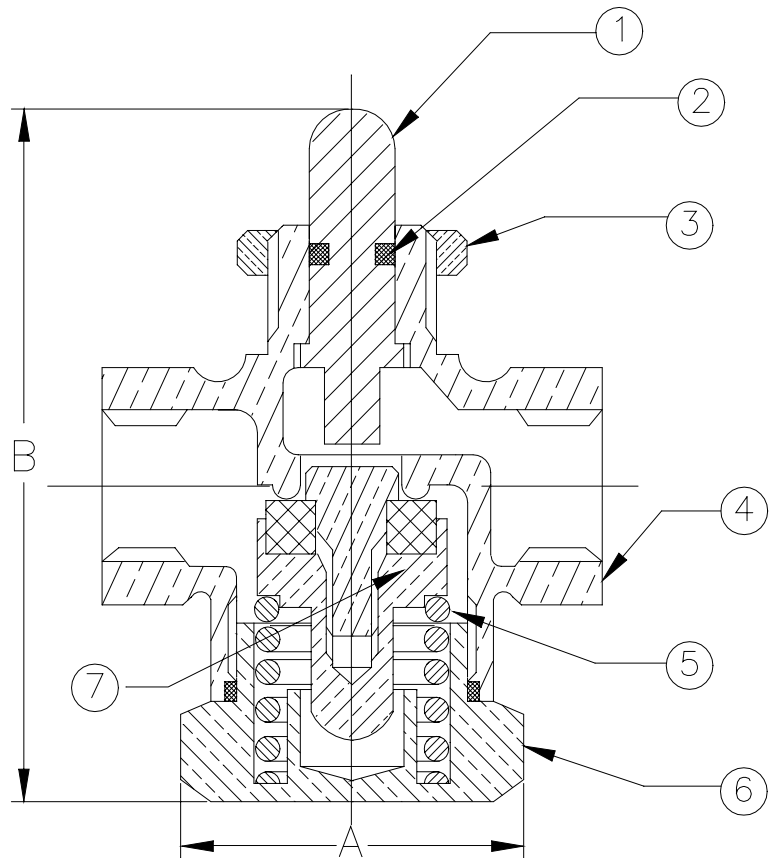
Model 44 Whistle Valve

**Quick-Opening Self-Closing Globe Valve
 Less Yoke & Lever
 150WSP • 400 WOG
 100% Pressure Tested
 Threaded Ends
 PTFE Disc • Integral Seat**

MATERIAL LIST

NO.	DESCRIPTION	MATERIAL
1	Stem	Stainless Steel
2	O-Ring	Viton
3	Lock Nut	Brass
4	Body	Bronze
5	Spring	Stainless Steel
6	Cap	Brass
7	Disc Holder	Bronze

	A	B	Qty. Per Ctn.
44 1/4"	1.88	2.50	25





UNITED BRASS WORKS, INC.
 714 S. Main St., Randleman, NC 27317
 Tel: 800-334-3035 Fax: 800-498-4696 www.ubw.com

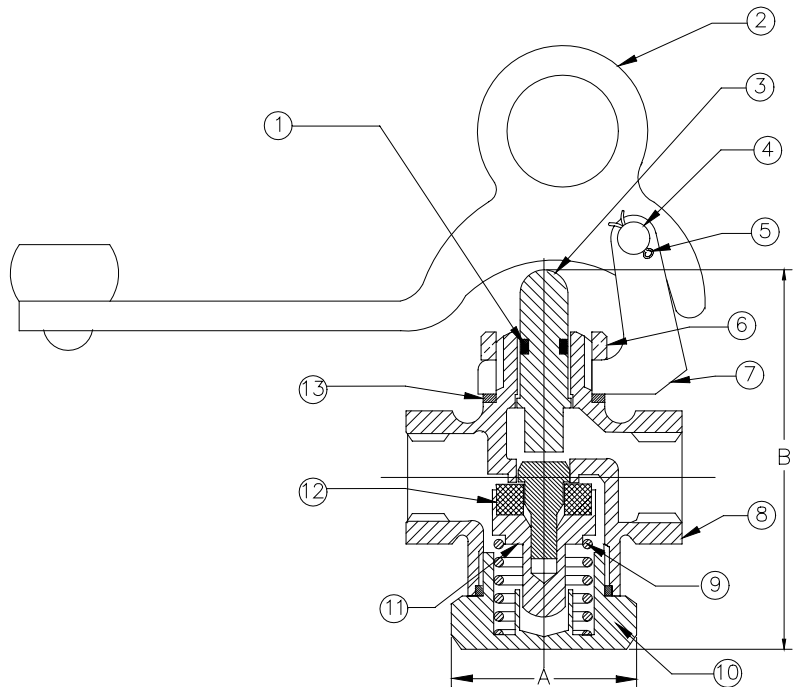


Model 44NY Whistle Valve

**Quick-Opening Self-Closing Globe Valve
 With Yoke & Loop Handle Lever
 150WSP • 400 WOG
 100% Pressure Tested
 Threaded Ends
 PTFE Disc • Integral Seat**

MATERIAL LIST

NO.	DESCRIPTION	MATERIAL
1	O-Ring	FKM (Viton)
2	Lever	Bronze
3	Stem	Stainless Steel
4	Clevis Pin	Steel
5	Cotter Pin	Steel
6	Lock Nut	Brass
7	Yoke	Bronze
8	Body	Bronze
9	Spring	Stainless Steel
10	Cap	Brass
11	Disc Holder	Brass
12	Disc	PTFE
13	Washer	Copper



	A	B	Qty. Per Ctn.
44NY 1/4"	1.88	2.50	12



UNITED BRASS WORKS, INC.
 714 S. Main St., Randleman, NC 27317
 Tel: 800-334-3035 Fax: 800-498-4696 www.ubw.com



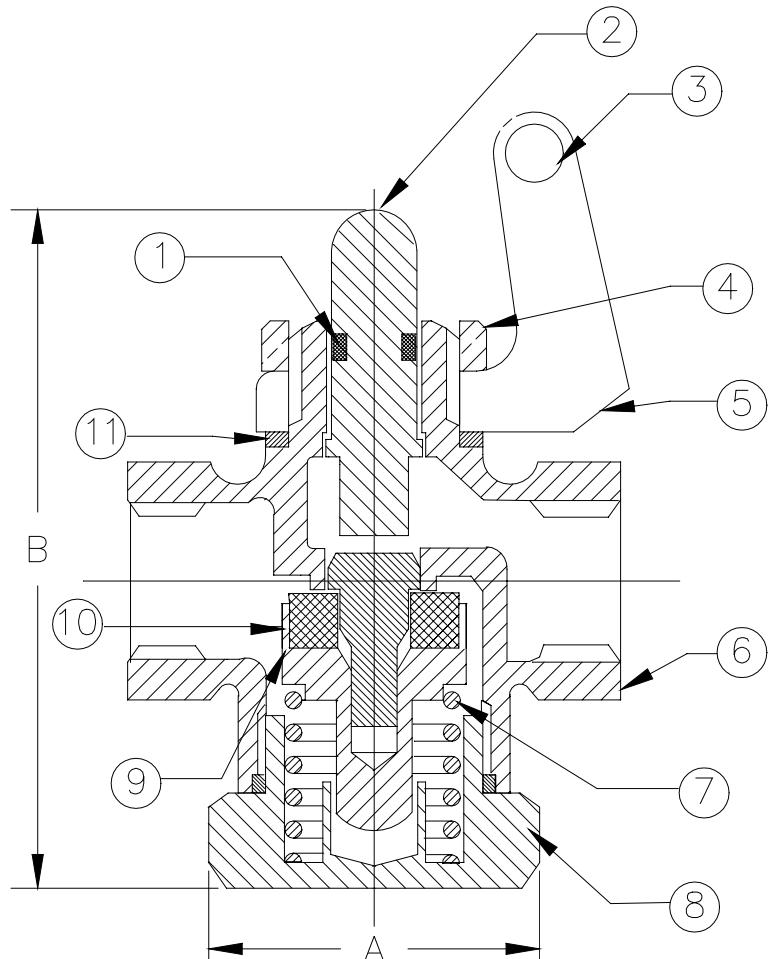
Model 44NYLL Whistle Valve

**Quick-Opening Self-Closing Globe Valve
 With Yoke Less Lever
 150WSP • 400 WOG
 100% Pressure Tested
 Threaded Ends
 PTFE Disc • Integral Seat**

MATERIAL LIST

NO.	DESCRIPTION	MATERIAL
1	O-Ring	FKM (Viton)
2	Stem	Stainless Steel
3	Clevis Pin	Steel
4	Lock Nut	Brass
5	Yoke	Bronze
6	Body	Bronze
7	Spring	Stainless Steel
8	Cap	Brass
9	Disc Holder	Brass
10	Disc	PTFE
11	Washer	Copper

	A	B	Qty. Per Ctn.
44NYLL 1/4"	1.88	2.50	10





UNITED BRASS WORKS, INC.
 714 S. Main St., Randleman, NC 27317
 Tel: 800-334-3035 Fax: 800-498-4696 www.ubw.com

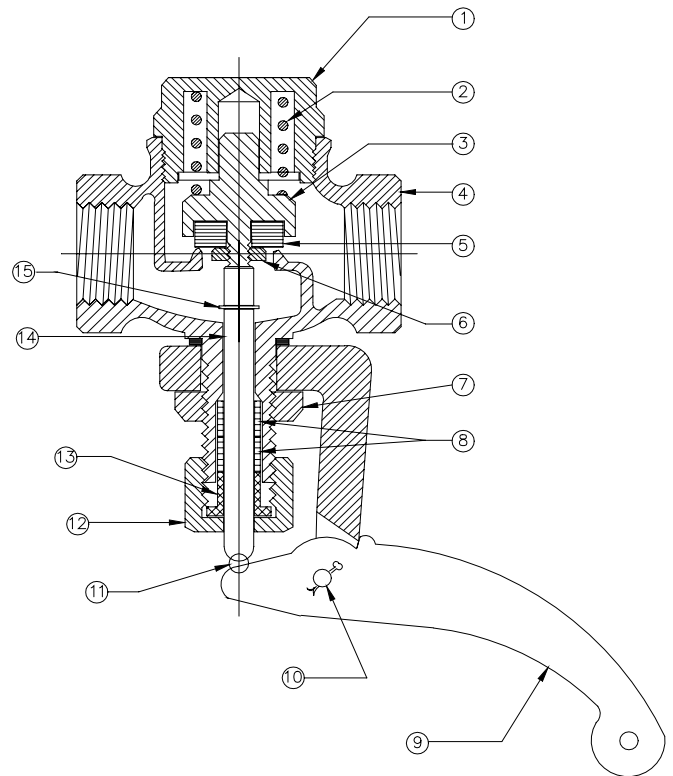


Model 25WT Whistle Valve
Quick-Opening
Self-Closing Globe Valve

200WSP @ 406° Max
400 WOG
100% Pressure Tested
Threaded Ends
PTFE Disc • Integral Seat

MATERIAL LIST

NO.	DESCRIPTION	MATERIAL
1	Cap	Brass
2	Spring	Stainless Steel
3	Disc Holder	Brass
4	Body	Bronze
5	Disc	PTFE
6	Disc Nut	Brass
7	Lock Nut	Bras
8	Packing	NAFG
9	Lever	Bronze
10	Clevis Pin	Steel
11	Packing Nut	Brass
12	Packing Gland	Brass
13	Yoke	Bronze
14	Stem	Stainless Steel
15	Retaining Ring	Steel



	A	B	Qty. Per Ctn.
25WT 1/4"	2.34	3.22	10
25WT 3/8"	2.34	3.22	6
25WT 1/2"	2.69	4.00	5
25WT 3/4"	3.00	4.50	6
25WT 1"	3.75	5.25	4



UNITED BRASS WORKS, INC.
 714 S. Main St., Randleman, NC 27317
 Tel: 800-334-3035 Fax: 800-498-4696 www.ubw.com

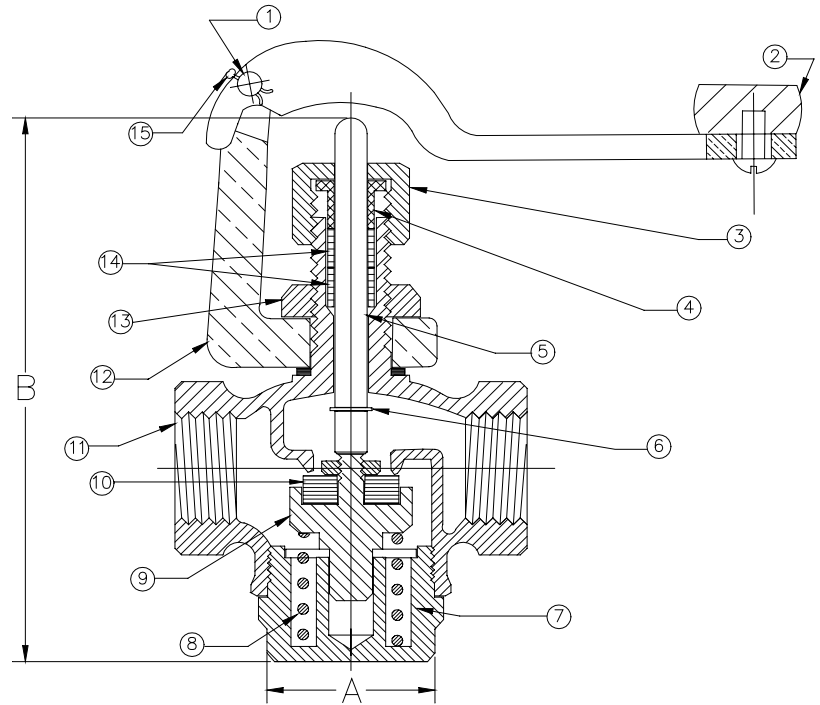


Model 25WTBL Whistle Valve
Quick-Opening
Self-Closing Globe Valve
With Button Lever

200WSP @ 406° Max
400 WOG
100% Pressure Tested • Threaded Ends
PTFE Disc • Integral Seat

MATERIAL LIST

NO.	DESCRIPTION	MATERIAL
1	Clevis Pin	Steel
2	Lever	Bronze
3	Packing Nut	Brass
4	Packing Gland	Brass
5	Stem	Stainless Steel
6	Retaining Ring	Steel
7	Cap	Brass
8	Spring	Stainless Steel
9	Disc Holder	Brass
10	Disc	PTFE
11	Body	Bronze
12	Yoke	Bronze
13	Lock Nut	Brass
14	Packing	NAFG
15	Cotter Pin	Steel



	A	B	Qty. Per Ctn.
25WTBL 3/8"	2.34	3.21	6
25WTBL 1/2"	2.69	4.00	5



UNITED BRASS WORKS, INC.
 714 S. Main St., Randleman, NC 27317
 Tel: 800-334-3035 Fax: 800-498-4696 www.ubw.com



Model 25WACT Whistle Valve
Quick-Opening
Self-Closing Globe Valve

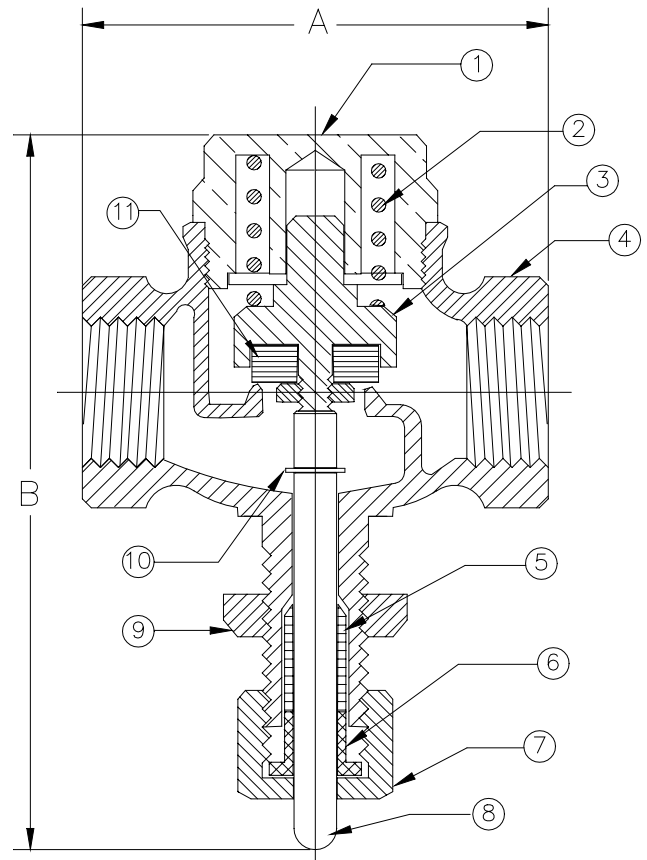
200WSP @ 406° Max
400 WOG

100% Pressure Tested • Threaded Ends
PTFE Disc • Integral Seat

MATERIAL LIST

NO.	DESCRIPTION	MATERIAL
1	Cap	Brass
2	Spring	Stainless Steel
3	Disc Holder	Brass
4	Body	Bronze
5	Packing	NAFG
6	Gland	Brass
7	Packing Nut	Brass
8	Stem	Stainless Steel
9	Lock Nut	Brass
10	Retaining Ring	Steel
11	Disc	PTFE

	A	B	Qty. Per Ctn.
25WT ¼"	2.34	3.22	10
25WT 3/8"	2.34	3.22	6
25WT ½"	2.69	4.00	5
25WT ¾"	3.00	4.50	6
25WT 1"	3.75	5.25	4





UNITED BRASS WORKS, INC.
 714 S. Main St., Randleman, NC 27317
 Tel: 800-334-3035 Fax: 800-498-4696 www.ubw.com



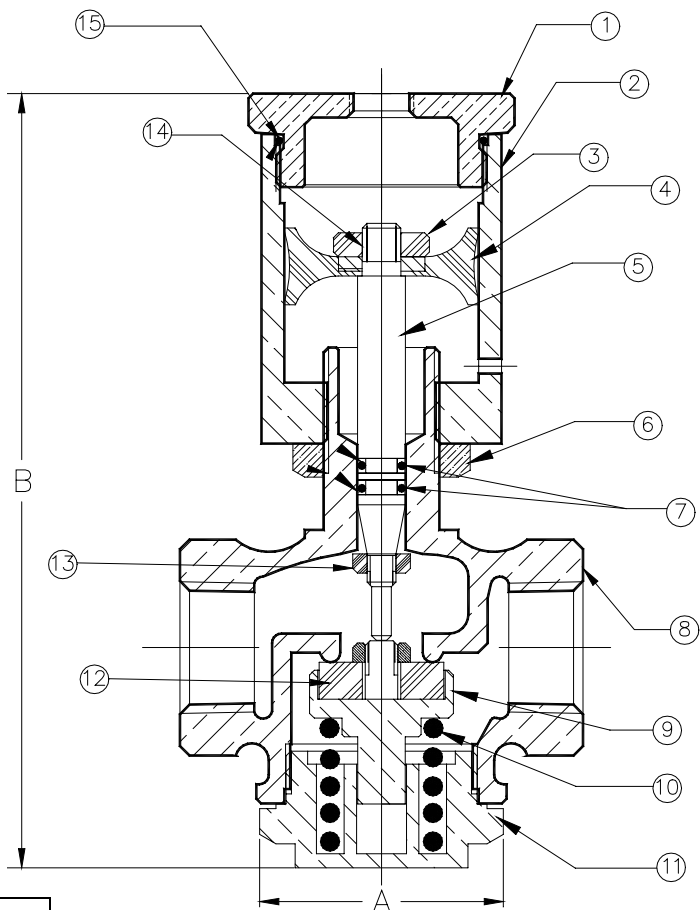
Model VC25WT Pneumatic Whistle Valve

125WSP @ 350° Max
200 WOG
100% Pressure Tested
Threaded Ends
PTFE Disc • Integral Seat

** Minimum Air Pressure Requirement - 80PSI.*

MATERIAL LIST

NO.	DESCRIPTION	MATERIAL
1	Cap	Brass
2	Cylinder	Brass
3	Nut	Brass
4	Piston Cup	Silicon
5	Stem	Stainless Steel
6	Lock Nut	Brass
7	O-Ring	FKM (Viton)
8	Body	Bronze
9	Disc Holder	Brass
10	Spring	Stainless Steel
11	Cap	Brass
12	Disc	PTFE
13	Nut	Steel
14	Nut	Steel
15	O-Ring	BUNA



	A	B	Qty. Per Ctn.
VC25WT 1/2"	2.69	4.00	5