



UNITED BRASS WORKS, INC.
 714 S. Main St., Randleman, NC 27317
 Tel: 800-334-3035 Fax: 800-498-4696 www.ubw.com



Model 966P 1/2" Short Shank Tricock

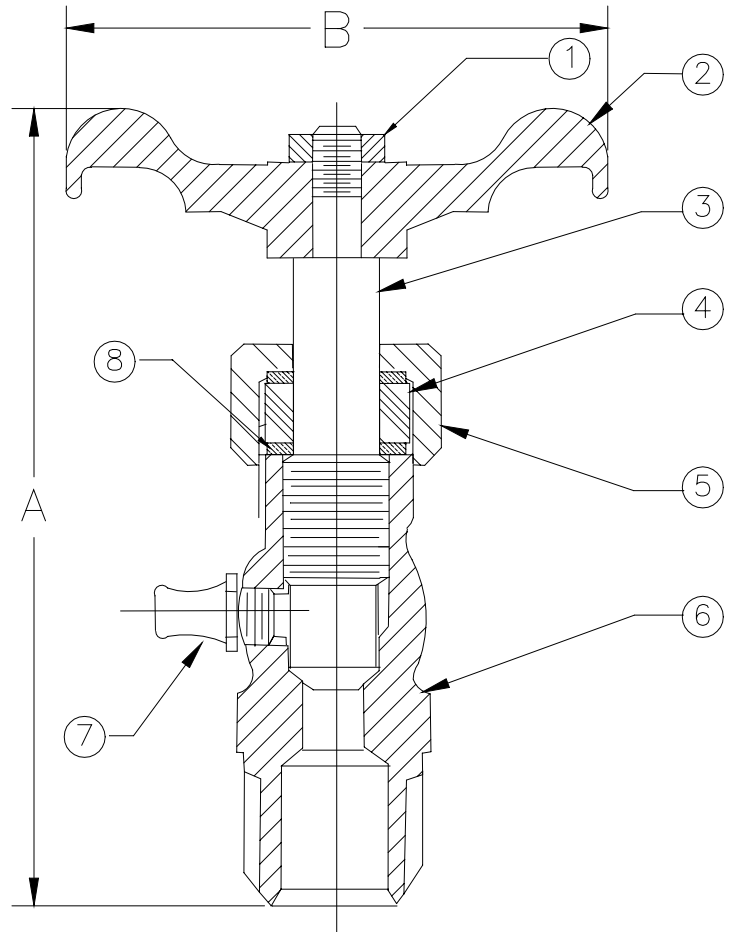
**250 WSP @ 406° Max
 400WOG
 Aluminum Hand Wheel
 Brass Body**

**Available with Plastic Hand Wheel
 As Part No. 966PPW.**

MATERIAL LIST

NO.	DESCRIPTION	MATERIAL
1	Screw	Steel
2	Hand Wheel	Aluminum
3	Stem	Brass
4	Packing	NAFG
5	Packing Nut	Brass
6	Body	Brass
7	Nozzle	Brass
8	Washer	Brass

Size	1/2"
A	3.70
B	2.10
Ship Wt. (lbs.)	0.34
Qty. Per Carton	12





UNITED BRASS WORKS, INC.
 714 S. Main St., Randleman, NC 27317
 Tel: 800-334-3035 Fax: 800-498-4696 www.ubw.com



Model 966L 1/2" Long Shank Tricock

250 WSP @ 406°F Max
400WOG
Aluminum Hand Wheel
Brass Body

Available with Plastic Hand Wheel
As Part No. 966LPW.

MATERIAL LIST

NO.	DESCRIPTION	MATERIAL
1	Screw	Steel
2	Hand Wheel	Aluminum
3	Stem	Brass
4	Washer	Bass
5	Packing Nut	Brass
6	Body	Brass
7	Nozzle	Brass
8	Packing	NAFG

Size	1/2"
A	3.70
B	2.10
Ship Wt. (lbs.)	0.34
Qty. Per Carton	12

