



UNITED BRASS WORKS, INC.
 714 S. Main St., Randleman, NC 27317
 Tel: 800-334-3035 Fax: 800-498-4696 www.ubw.com



Model 198 Air Line Strainer

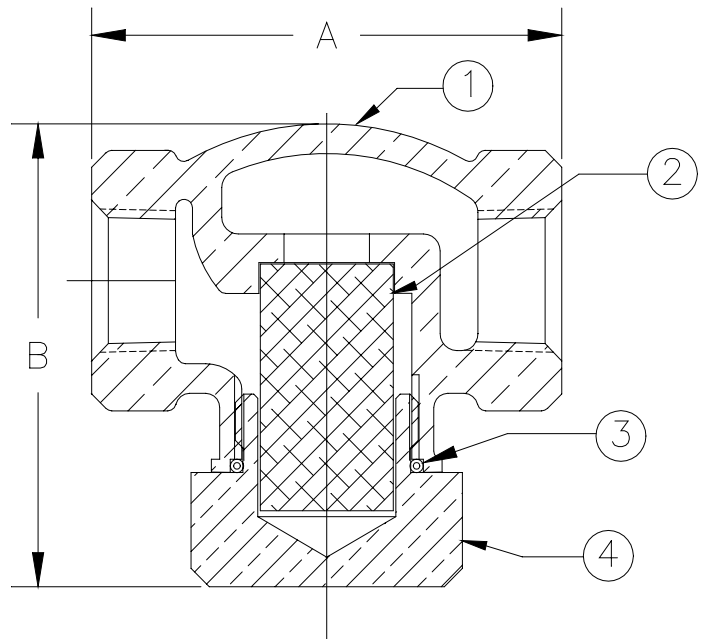
200 WOG @ 180 ° Max
100% Pressure Tested
Threaded Ends
Stainless Steel Screen

Available with 30, 50 and 60 mesh screens.

MATERIAL LIST

NO.	DESCRIPTION	MATERIAL
1	Body	Bronze
2	Screw	Stainless Steel
3	O-Ring	Buna
4	Cap	Brass

Size	1/4"
A	1.75
B	1.12
Ship Wgt. (lbs.)	0.31
Qty. Per Ctn.	12





UNITED BRASS WORKS, INC.
 714 S. Main St., Randleman, NC 27317
 Tel: 800-334-3035 Fax: 800-498-4696 www.ubw.com



Model 200 Strainer With Steel Plug

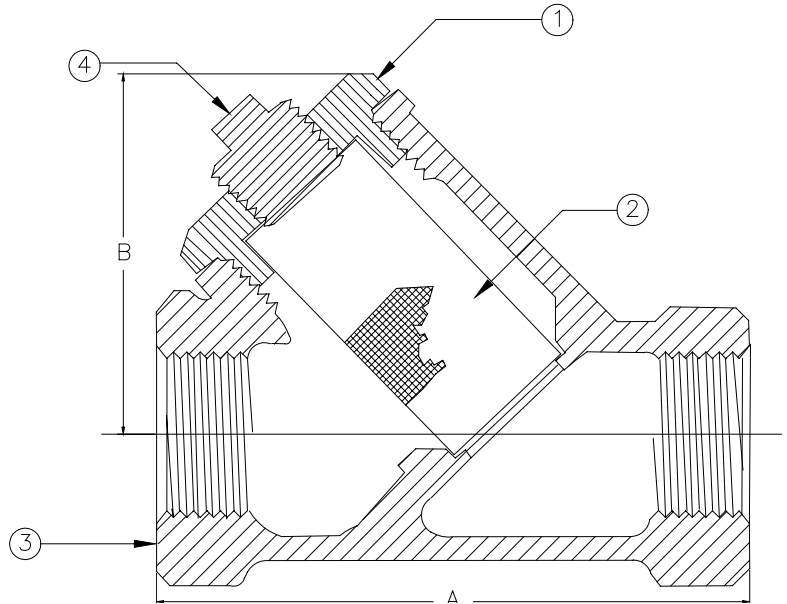
**200WSP @ 406° Max
 400 WOG
 100% Pressure Tested
 Threaded Ends**

All Available in 24, 50 or 100 Mesh screen sizes.

*** Additional Configurations ***
200 WBP – Brass Plug
200WSC – Solid Cap

MATERIAL LIST

NO.	DESCRIPTION	MATERIAL
1	Cap (1/4" - 1") Cap (1 1/4" - 2")	Brass Bronze
2	Screen	Stainless Steel
3	Body	Bronze
4	Plug	Steel



Size	1/4"	3/8"	1/2"	3/4"	1"	1 1/4"	1 1/2"	2"
A	2.73	2.72	2.84	3.41	3.94	5.41	6.81	8.19
B	1.87	1.87	1.81	2.09	2.86	4.13	4.31	5.00
Ship Wgt. (lbs)	0.75	0.78	0.81	1.36	2.39	2.39	5.78	10.13
Qty. Per Ctn.	12	12	12	12	6	6	4	2



UNITED BRASS WORKS, INC.
 714 S. Main St., Randleman, NC 27317
 Tel: 800-334-3035 Fax: 800-498-4696 www.ubw.com



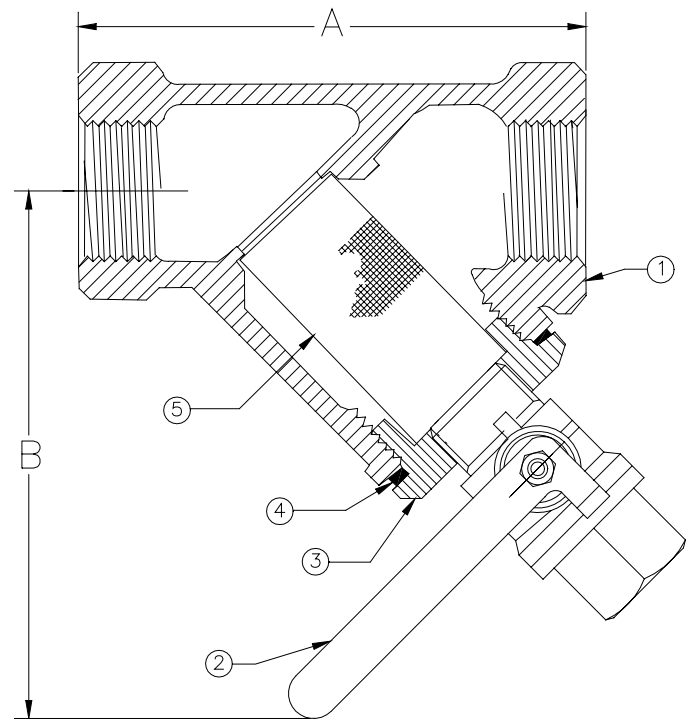
Model 200BV Strainer With Ball Valve

200 WSP @ 406 ° Max
400 WOG
100% Pressure Tested
Threaded Ends

All Available in 24, 50 or 100 Mesh.

MATERIAL LIST

NO.	DESCRIPTION	MATERIAL
1	Body	Bronze
2	Ball Valve	See Spec for 80MXF
3	Cap	Brass
4	Gasket	Copper
5	Screw	Stainless Steel



Size	1/4"	3/8"	1/2"	3/4"	1"	1 1/4"	1 1/2"	2"
A	2.73	2.72	2.84	3.41	3.94	5.41	6.81	8.19
B	4.65	4.80	4.80	5.00	5.30	7.60	7.20	7.50
Qty. Per Ctn.	6	6	6	6	2	2	2	2