



UNITED BRASS WORKS, INC.
 714 S. Main St., Randleman, NC 27317
 Tel: 800-334-3035 Fax: 800-498-4696 www.ubw.com



Model 125MM Globe Valve

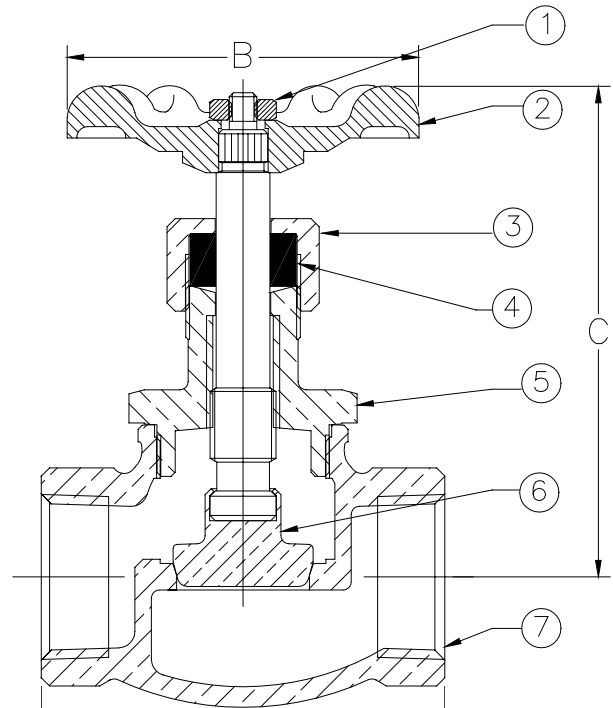
Metal to Metal Seat & Disc

125 lbs. WSP @ 350 ° Max

200 lbs. WOG

100% Pressure Tested * Threaded Ends

Rising Stem * Swivel Disc Holder



MATERIAL LIST

NO.	DESCRIPTION	MATERIAL
1	Hex Nut	Steel
2	Hand Wheel	Aluminum
3	Packing Nut	Brass
4	Packing	Graphite Non-Asb.
5	Bonnet (1/4" - 1") Bonnet (1/4" - 2")	Brass Bronze
6	Stem & Disc Holder	Brass
7	Body	Bronze

Size	1/4"	3/8"	1/2"	3/4"	1"	1 1/4"	1 1/2"	2"
A	1.75	1.84	2.22	2.47	2.97	3.56	4.06	4.69
B	1.75	1.75	2.03	2.38	2.75	3.00	3.72	3.72
C (closed)	2.88	3.13	3.38	3.50	4.25	4.75	5.50	5.50
Ship Wt. (lbs.)	0.44	0.56	0.80	1.00	1.81	2.57	3.69	5.88
Qty. Unit Pack	12	12	12	6	6	4	2	2
Qty. Per Case	60	60	72	60	36	24	12	12



UNITED BRASS WORKS, INC.
 714 S. Main St., Randleman, NC 27317
 Tel: 800-334-3035 Fax: 800-498-4696 www.ubw.com

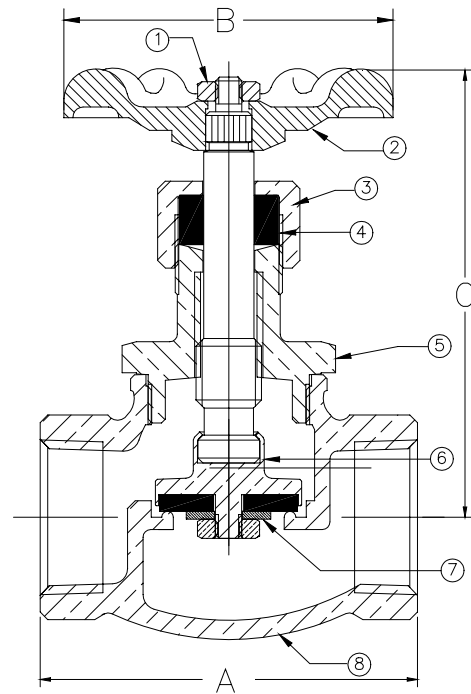


Model 125T Valve

125 WSP @ 350 ° Max
200 WOG
100% Pressure Tested
Threaded Ends • Rising Stem
Swivel Disc Holder
PTFE Disc * Integral Seat

MATERIAL LIST

NO.	DESCRIPTION	MATERIAL
1	Nut	Steel
2	Hand Wheel	Aluminum
3	Packing Nut	Brass
4	Packing	NAFG
5	Bonnet (1/4" - 1") Bonnet (1 1/4" - 2")	Brass Bronze
6	Stem & Disc Holder	Brass
7	Disc	PTFE
8	Body	Bronze



Size	1/4"	3/8"	1/2"	3/4"	1"	1 1/4"	1 1/2"	2"
A	1.75	1.84	2.22	2.47	2.97	3.56	4.06	4.69
B	1.75	1.75	2.03	2.38	2.75	3.00	3.72	3.72
C	2.88	3.13	3.38	3.50	4.25	4.75	5.50	5.50
Ship Wgt. (lbs.)	0.44	0.56	0.80	1.00	1.81	2.57	3.69	5.88
Qty. Per Ctn.	12	12	12	6	6	4	2	2
Qty. Per Case	60	60	72	60	36	24	12	12



UNITED BRASS WORKS, INC.
 714 S. Main St., Randleman, NC 27317
 Tel: 800-334-3035 Fax: 800-498-4696 www.ubw.com



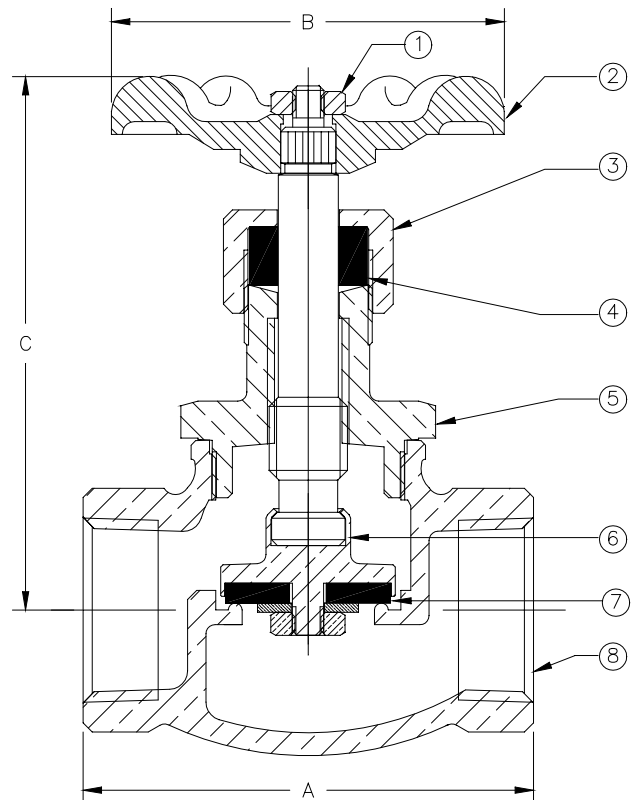
Model 125SUL Globe Valve

Soft Disc

UL US **UL Listed for Fire Sprinkler Service at 250 WOG**
200 WOG @ 180 ° Max
100% Pressure Tested
Threaded Ends • Integral Seat
Rising Stem
Swivel Disc Holder

MATERIAL LIST

NO.	DESCRIPTION	MATERIAL
1	Hex Nut	Steel
2	Hand Wheel	Aluminum
3	Packing Nut	Brass
4	Packing	Graphite Non-Asb.
5	Bonnet (1/2" – 1") Bonnet (1/4" – 2")	Brass Bronze
6	Stem & Disc Assm.	Brass
7	Disc	Buna N
8	Body	Bronze



Size	1/2"	3/4"	1"	1 1/4"	1 1/2"	2"
A	2.22	2.47	2.97	3.56	4.06	4.69
B	2.03	2.38	2.75	3.00	3.72	3.72
C (closed)	3.38	3.50	4.25	4.75	5.50	5.50
Ship Wt. (lbs.)	0.69	0.94	1.76	2.50	3.26	5.32
Qty. Unit Pack	12	6	6	4	2	2
Qty. Per Case	72	60	36	24	12	12



UNITED BRASS WORKS, INC.

714 S. Main St., Randleman, NC 27317

Tel: 800-334-3035 Fax: 800-498-4696 www.ubw.com



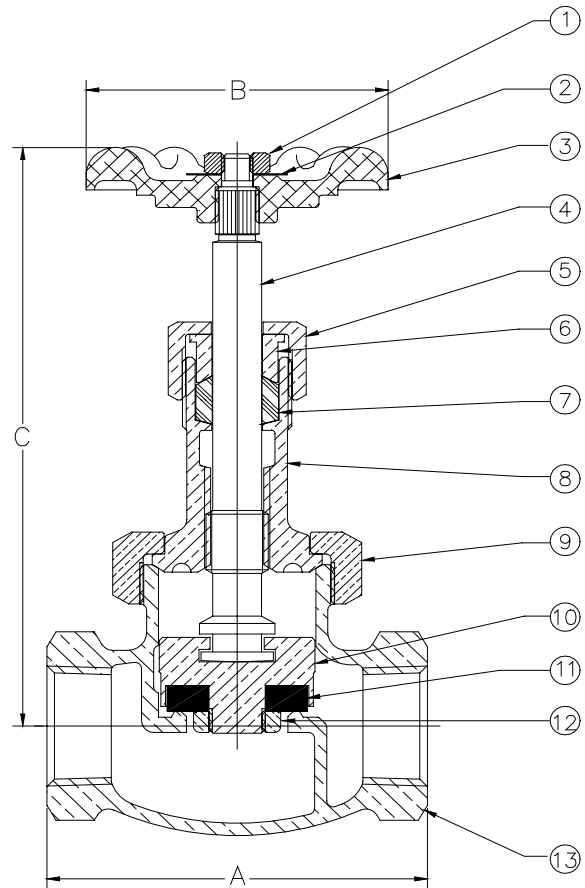
Model 81T Globe Valve

Conforms with MSS-SP80-97

200 lbs. WSP @ 406° Max
400 lbs. WOG • 100% Pressure Tested
Threaded Ends • Rising Stem • Integral Seat
Swivel Disc Holder • PTFE Disc

MATERIAL LIST

NO.	DESCRIPTION	MATERIAL
1	Hex Nut	Steel
2	Marker Disc	Aluminum
3	Hand Wheel	Aluminum
4	Stem	Bronze
5	Packing Nut	Brass
6	Packing Gland	Bronze
7	Packing	NAFG
8	Bonnet	Bronze
9	Bonnet Nut	Bronze
10	Disc Holder	Bronze
11	Disc	PTFE
12	Disc Nut	Brass
13	Body	Bronze



Size	1/8"	1/4"	3/8"	1/2"	3/4"	1"	1 1/4"	1 1/2"	2"
A	2.11	2.11	2.33	2.63	3.06	3.78	4.31	4.75	5.81
B	1.73	1.73	2.13	2.42	2.78	3.00	3.72	3.72	4.38
C – Closed	3.81	3.81	4.59	4.59	5.13	6.00	6.94	7.63	8.44
C – Open	4.00	4.00	4.81	5.19	5.56	6.56	7.50	8.33	9.25
Ship Wt. (lbs.)	0.81	0.81	1.06	1.50	2.00	3.37	5.19	7.00	11.19
Qty. Per Ctn.	12	12	12	12	6	6	4	2	2



UNITED BRASS WORKS, INC.
 714 S. Main St., Randleman, NC 27317
 Tel: 800-334-3035 Fax: 800-498-4696 www.ubw.com



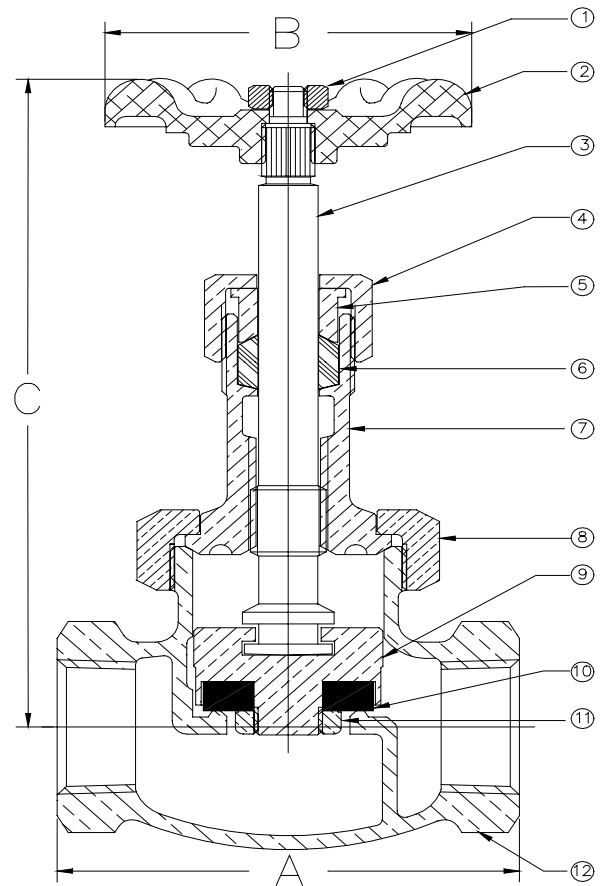
Model 381T Globe Valve

Conforms with MSS-SP80-97

300 lbs. WSP • 600 lbs. WOG • Integral Seat
100% Pressure Tested • Threaded Ends
Rising Stem • Swivel Disc Holder • PTFE Disc

MATERIAL LIST

NO.	DESCRIPTION	MATERIAL
1	Hex Nut	Steel
2	Hand Wheel	Aluminum
3	Stem	Bronze
4	Packing Nut	Bronze
5	Packing Gland	Bronze
6	Packing	NAFG
7	Bonnet	Bronze
8	Bonnet Nut	Bronze
9	Disc Holder	Bronze
10	Disc	PTFE
11	Disc Nut	Brass
12	Body	Bronze



Size	1/2"	3/4"	1"	1 1/4"	1 1/2"	2"
A - Globe	2.63	3.06	3.78	4.31	4.75	5.81
B	2.42	2.78	3.00	2.93	3.72	4.36
C - Closed	4.59	5.13	6.00	6.94	7.63	8.44
C - Open	5.03	5.56	6.56	7.50	8.33	9.25
Ship Wt. (lbs.)	1.50	2.0	3.37	5.19	7.00	11.19
Qty. Per Ctn.	12	6	6	4	2	2