



**UNITED BRASS WORKS, INC.**  
 714 S. Main St., Randleman, NC 27317  
 Tel: 800-334-3035 Fax: 800-498-4696 www.ubw.com

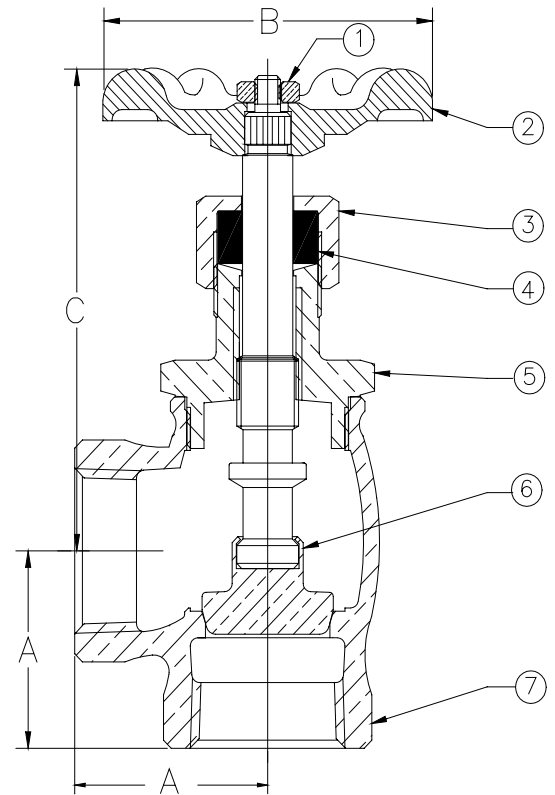


## Model 126MM Angle Valve

Metal to Metal Seat & disc  
 125 lbs. WSP @ 350 ° Max  
 200 lbs. WOG  
 100% Pressure Tested  
 Threaded Ends  
 Rising Stem  
 Swivel Disc Holder

### MATERIAL LIST

NO.	DESCRIPTION	MATERIAL
1	Hex Nut	Steel
2	Hand Wheel	Aluminum
3	Packing Nut	Brass
4	Packing	Graphite Non-Asb.
5	Bonnet (1/4" - 1") Bonnet (1 1/4" - 2")	Brass Bronze
6	Stem & Disc Holder	Brass
7	Body	Bronze



Size	1/4"	3/8"	1/2"	3/4"	1"	1 1/4"	1 1/2"	2"
A	0.84	0.94	1.09	1.22	1.47	1.75	2.00	2.34
B	1.75	1.75	2.03	2.38	2.75	3.00	3.72	3.72
C (closed)	2.63	3.00	3.13	3.25	4.38	4.50	5.25	5.63
Ship Wt. (lbs.)	0.44	0.56	0.69	0.94	1.76	2.50	3.26	5.32
Qty. Unit Pack	12	12	12	6	6	4	2	2
Qty. Per Case	60	60	72	60	36	24	12	12



# UNITED BRASS WORKS, INC.

714 S. Main St., Randleman, NC 27317

Tel: 800-334-3035 Fax: 800-498-4696 www.ubw.com



## Model 126T Valve

125 WSP @ 350° Max

200 WOG

100% Pressure Tested

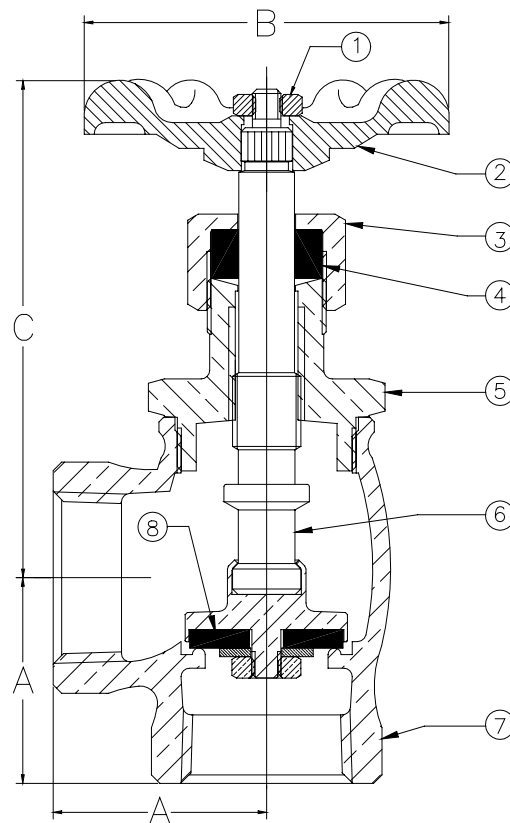
Threaded Ends • Rising Stem

Swivel Disc Holder

PTFE Disc • Integral Seat

### MATERIAL LIST

NO.	DESCRIPTION	MATERIAL
1	Nut	Brass
2	Hand Wheel	Aluminum
3	Packing Nut	Brass
4	Packing	NAFG
5	Bonnet (1/4" - 1") Bonnet (1 1/4" - 2")	Brass Bronze
6	Stem & Disc Holder	Brass
7	Body	Bronze
8	Disc	PTFE



Size	1/4"	3/8"	1/2"	3/4"	1"	1 1/4"	1 1/2"	2"
A	0.84	0.94	1.09	1.22	1.47	1.75	2.00	2.34
B	1.75	1.75	2.03	2.38	2.75	3.00	3.72	3.72
C (closed)	2.88	3.00	3.25	3.63	4.00	4.50	5.25	6.50
Ship Wt. (lbs.)	0.44	0.56	0.69	0.94	1.76	2.50	3.26	5.32
Qty. Unit Pack	12	12	12	6	6	4	2	2
Qty. Per Case	60	60	72	60	36	24	12	12



**UNITED BRASS WORKS, INC.**  
 714 S. Main St., Randleman, NC 27317  
 Tel: 800-334-3035 Fax: 800-498-4696 www.ubw.com



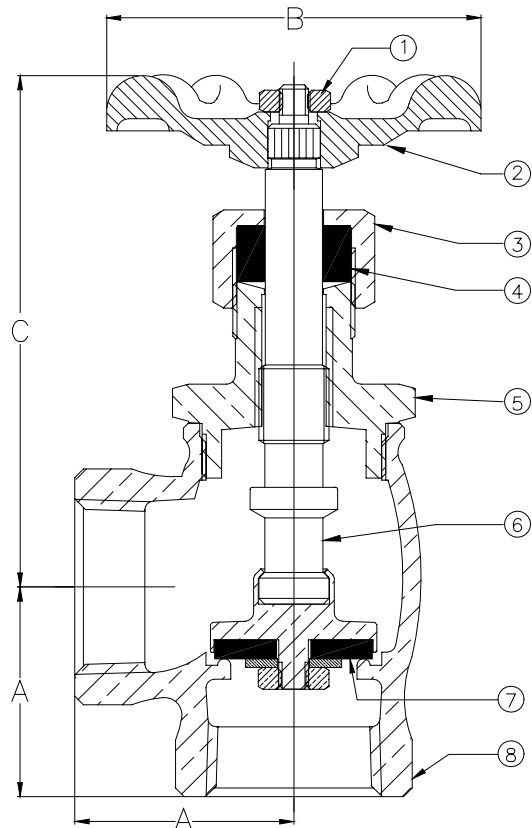
## Model 126SUL Angle Valve Soft Disc



UL Listed for Fire Sprinkler Service at 250 WOG  
 200 WOG @ 180 ° Max  
 100% Pressure Tested • Threaded Ends  
 Rising Stem • Integral Seat • Swivel Disc Holder

### MATERIAL LIST

NO.	DESCRIPTION	MATERIAL
1	Hex Nut	Steel
2	Hand Wheel	Aluminum
3	Packing Nut	Brass
4	Packing	Graphite Non-Asbestos
5	Bonnet (1/2" - 1") Bonnet (1 1/4" - 2")	Brass Bronze
6	Stem & Seat Assembly	Brass
7	Disc	Buna N
8	Body	Bronze



Size	1/2"	3/4"	1"	1 1/4"	1 1/2"	2"
A	1.03	1.22	1.47	1.75	2.00	2.34
B	2.03	2.38	2.75	3.00	3.72	3.72
C (closed)	3.13	3.25	4.38	4.50	5.25	5.63
Ship Wt. (lbs.)	0.69	0.94	1.76	2.50	3.26	5.32
Qty. Unit Pack	12	6	6	4	2	2
Qty. Per Case	72	60	36	24	12	12