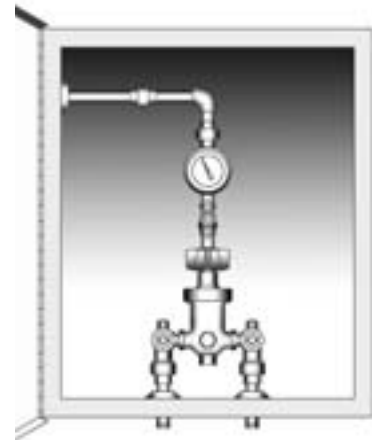




Supply Fixture e420 & e427 Bottom Inlets/Side Outlet — Semi-Recessed Cabinet

Features ■

- Valve utilizes paraffin-based advanced thermal actuation technology to sense and adjust outlet temperature
- Dirt & lime resistant poppet and seat design
- Virtual shut-off if supply pressure fails
- Stainless steel or white painted cabinets
- Factory tested valve and piping
- Triple-duty checkstops with filters, dial-thermometer, ball valve
- Rough bronze and chrome finishes



Shown e427



Advanced Thermal Activation

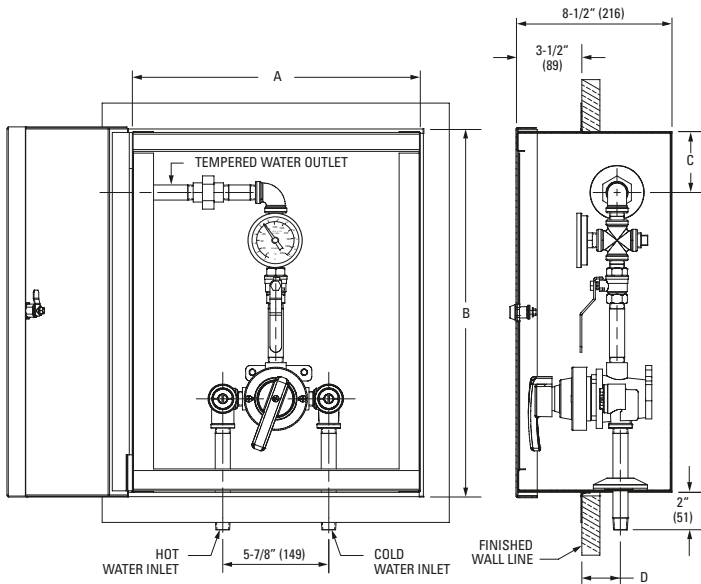
Specifications ■

Connections	1/2" NPT inlets and outlet
Maximum Hot Water Supply Temperature.....	190° F (88° C)
Minimum Hot Water Supply Temperature.....	10° F (6° C) above set point
Minimum Flow*	0.5 gpm (1.9 lpm)
Maximum Operating Pressure.....	125 psig (862 kpa)
Motor Range Standard	
E420	65-115° F (18-46° C)
E427	90-110° F (32-43° C)
Listing/Compliance (Valves Only)	
E420	ASSE 1016-T/P, CSA B125
E427	ASSE-1016 listed, CSA B125

* Minimum flow when the valve is installed at or near hot water source w/re-circulated tempered water with a properly sized continuously operating re-circulating pump.

Flow Capacity When Tested To ASSE 1016 Standard									
Valve	CV 1 psi (7 kpa)	Min. Flowrate	Pressure Differential						
			5 psi (35 kpa)	10 psi (69 kpa)	15 psi (103 kpa)	20 psi (138 kpa)	30 psi (207 kpa)	45 psi (310 kpa)	60 psi (414 kpa)
e420	0.79	1.0 gpm (4.0 lpm)	1.8 gpm (7.0 lpm)	2.5 gpm (10.0 lpm)	3.1 gpm (12.0 lpm)	3.5 gpm (13.0 lpm)	4.3 gpm (16.0 lpm)	5.3 gpm (20.0 lpm)	6.1 gpm (23.0 lpm)
e427	2.09	2.5 gpm (10.0 lpm)	4.7 gpm (18.0 lpm)	6.6 gpm (25.0 lpm)	8.1 gpm (31.0 lpm)	9.3 gpm (35.0 lpm)	11.4 gpm (43.0 lpm)	14.0 gpm (53.0 lpm)	16.2 gpm (61.0 lpm)

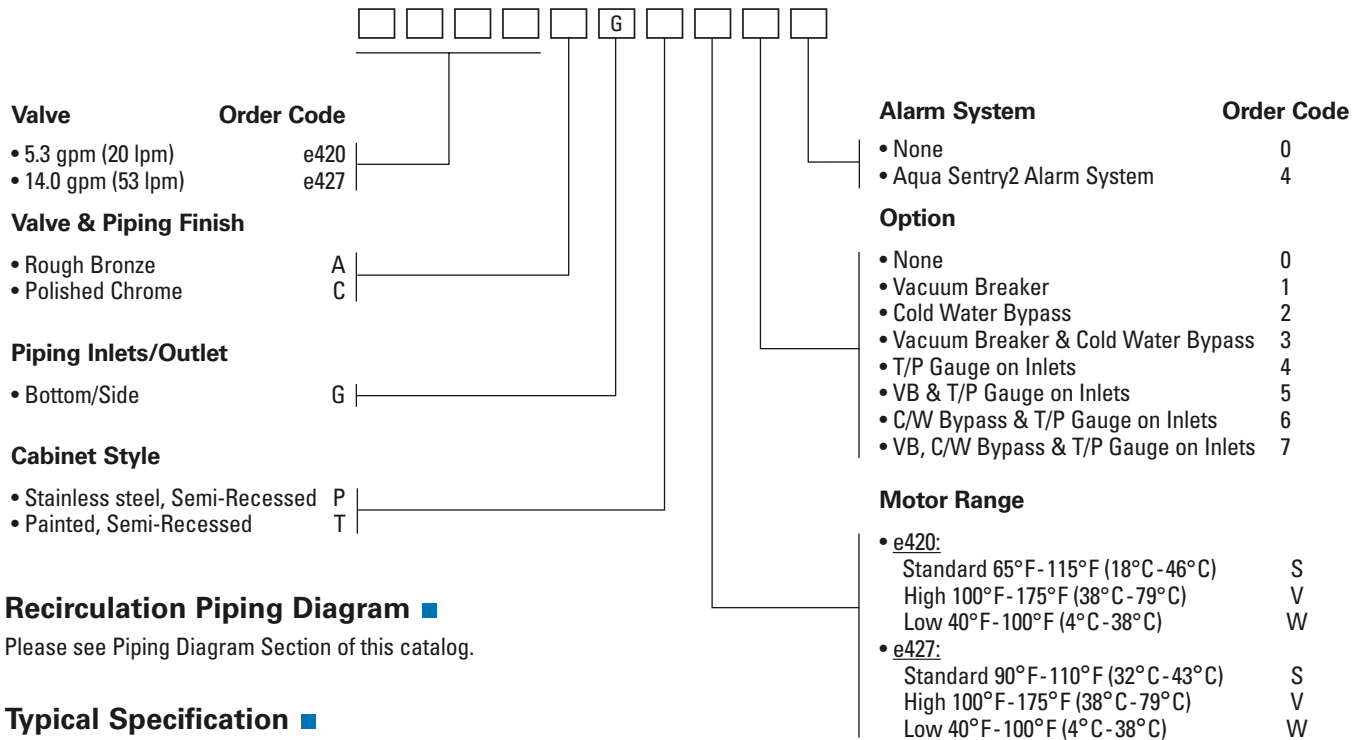
Dimensions ■



Dimension						
Valve	Inlets	Outlet	A	B	C	D
e420	1/2" NPT	1/2" NPT	16" (406)	20" (508)	3-3/8" (86)	2-3/16" (56)
e427	1/2" NPT	1/2" NPT	20" (508)	24" (610)	4-3/8" (111)	2" (51)

Note:
 1) Dimensions in brackets are in mm.
 2) Dimensions are shown $\pm 1/4"$

Ordering Information ■



Recirculation Piping Diagram ■

Please see Piping Diagram Section of this catalog.

Typical Specification ■

Cabinet supply fixture shall feature bottom inlets/side outlet configuration with semi-recessed stainless steel or painted steel construction cabinet. Valves shall be HydroGuard® combination (e420 type T/P) or thermostatic (e427 type T) and feature paraffin-based, advanced thermal actuation technology for near instantaneous response. Valves shall possess approach temperature of 10°F/6°C. Minimum flows shall be 1.0 gpm/4 lpm (e420) and 2.5 gpm/10 lpm (e427) when tested to ASSE 1016. Piping and valve shall be factory tested, and include ball valve and thermometer. Supply fixture shall be a Powers' e420_G_ (5.3 gpm/20 lpm capacity) or e427_G_ (14 gpm/53 lpm capacity). All alternatives must have a written approval prior to bidding.

ENGINEERING APPROVAL	
Project:	_____
Contractor:	_____
Architect/Engineer:	_____

POWERS™

© 2005 POWERS, a division of Watts Water Technologies, Inc.
 USA Office: Phone: 800.669.5430 Fax: 847.229.0526
 Canadian Office: Phone: 888.208.8927 Fax: 888.882.1979

www.powerscontrols.com