



Supply Fixture e420 & e427 Bottom Inlets/Side Outlet — Exposed

Features ■

- Valve utilizes paraffin-based advanced thermal actuation technology to sense and adjust outlet temperature
- Dirt & lime resistant poppet and seat design
- Virtual shut-off if supply pressure fails
- Factory tested valve and piping
- Triple-duty checkstops with filters, dial-thermometer, ball valve
- Rough bronze and chrome finishes



Shown e427



Advanced Thermal Activation

Specifications ■

Connections 1/2" NPT inlets and outlet

Maximum Hot Water Supply Temperature 190° F (88° C)

Minimum Hot Water Supply Temperature 10° F (6° C) above set point

Minimum Flow* 0.5 gpm (1.9 lpm)

Maximum Operating Pressure 125 psig (862 kpa)

Motor Range Standard

E420 65-115° F (18-46° C)

E427 90-110° F (32-43° C)

Listing/Compliance (Valves Only)

E420 ASSE 1016-T/P, CSA B125

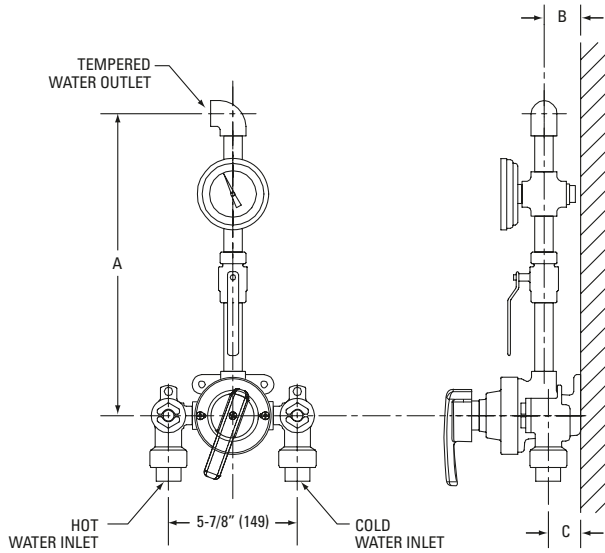
E427 ASSE-1016 listed, CSA B125

* Minimum flow when the valve is installed at or near hot water source w/re-circulated tempered water with a properly sized continuously operating re-circulating pump.

Flow Capacity When Tested To ASSE 1016 Standard

			Pressure Differential						
Valve	CV 1 psi (7 kpa)	Min. Flowrate	5 psi (35 kpa)	10 psi (69 kpa)	15 psi (103 kpa)	20 psi (138 kpa)	30 psi (207 kpa)	45 psi (310 kpa)	60 psi (414 kpa)
e420	0.79	1.0 gpm (4.0 lpm)	1.8 gpm (7.0 lpm)	2.5 gpm (10.0 lpm)	3.1 gpm (12.0 lpm)	3.5 gpm (13.0 lpm)	4.3 gpm (16.0 lpm)	5.3 gpm (20.0 lpm)	6.1 gpm (23.0 lpm)
e427	2.09	2.5 gpm (10.0 lpm)	4.7 gpm (18.0 lpm)	6.6 gpm (25.0 lpm)	8.1 gpm (31.0 lpm)	9.3 gpm (35.0 lpm)	11.4 gpm (43.0 lpm)	14.0 gpm (53.0 lpm)	16.2 gpm (61.0 lpm)

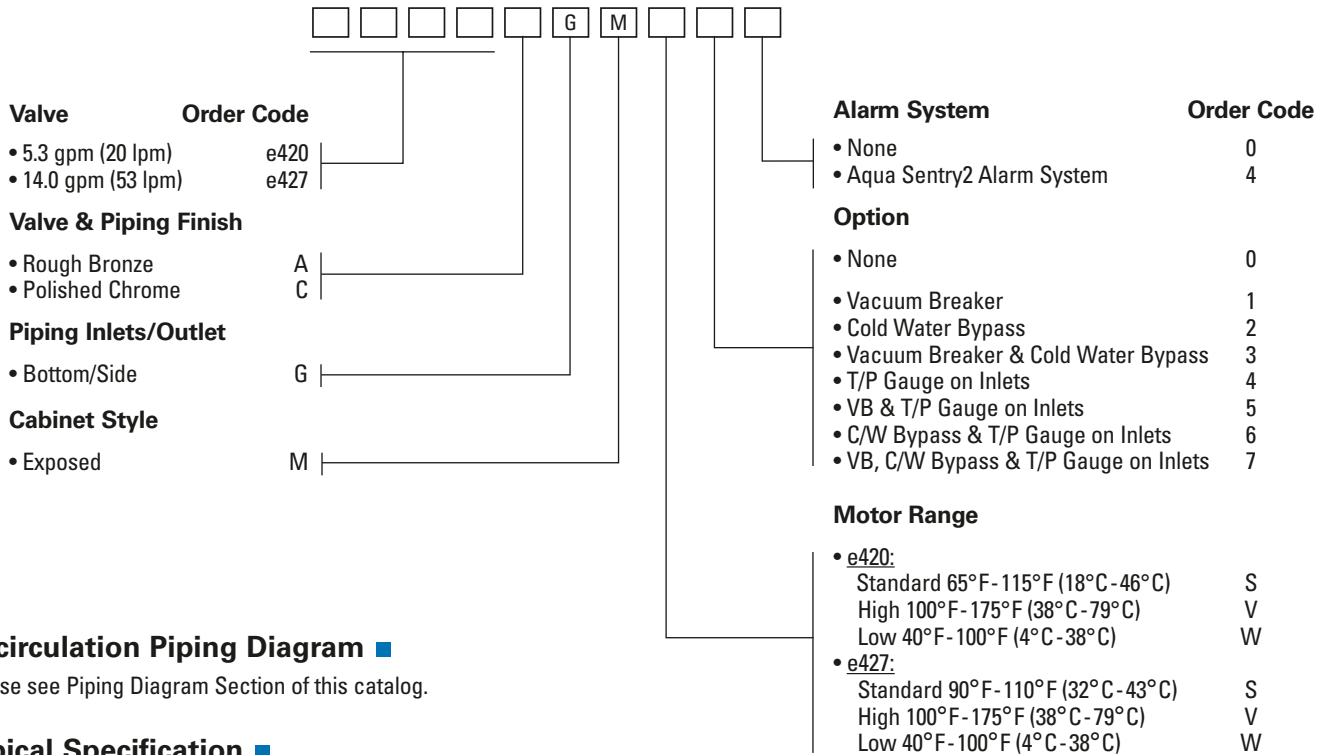
Dimensions ■



Dimension					
Valve	Inlets	Outlet	A	B	C
e420	1/2" NPT	1/2" NPT	13-3/4" (349)	1-11/16" (43)	1-1/2" (38)
e427	1/2" NPT	1/2" NPT	17-7/8" (454)	3-3/4" (95)	3-3/4" (95)

Note:
 1) Dimensions in brackets are in mm.
 2) Dimensions are shown $\pm 1/4"$

Ordering Information ■



Recirculation Piping Diagram ■

Please see Piping Diagram Section of this catalog.

Typical Specification ■

Supply fixture shall feature bottom inlets/side outlet configuration with HydroGuard® combination (e420 type T/P) or thermostatic (e427 type T) valve. Valves shall feature paraffin-based, advanced thermal actuation technology for near instantaneous response and possess approach temperature of 10°F/6°C. Minimum flows shall be 1.0 gpm/4 lpm (e420) and 2.5 gpm/10 lpm (e427) when tested to ASSE 1016. Piping and valve shall be factory tested, and include ball valve and thermometer. Supply fixture shall be a Powers' e420_GM_ (5.3 gpm/20 lpm capacity) or e427_GM_ (14 gpm/53 lpm capacity). All alternatives must have a written approval prior to bidding.

ENGINEERING APPROVAL

Project: _____
 Contractor: _____
 Architect/Engineer: _____

POWERS™

© 2005 POWERS, a division of Watts Water Technologies, Inc.
 USA Office: Phone: 800.669.5430 Fax: 847.229.0526
 Canadian Office: Phone: 888.208.8927 Fax: 888.882.1979

www.powerscontrols.com