

Type-900X I/P pressure regulators converts an electrical signal (current or voltage) to a proportional pneumatic output. Utilizing internal solid-state feedback circuitry, the Type-900X provides precise, stable pressure outputs to final control elements. Immunity to the effects of vibration or mounting position, high tolerance to impure air, and low air consumption make this unit ideal for use in demanding applications.

FEATURES

- RELIABLE IN HARSH ENVIRONMENTS
- LOW AIR CONSUMPTION - 3 scfh typical
- HIGH ACCURACY - (+ or -) 0.10% of span
- NEMA-4X (IP65) ENCLOSURE
- VIBRATION / POSITION INSENSITIVE
- COMPACT SIZE
- SUPPLY PRESSURES UP TO 100 PSIG
- INPUT/OUTPUT PORTS ON FRONT AND BACK
- CONDUIT FITTING
- SPLIT RANGE OPERATION
- FIELD REVERSIBLE

SPECIFICATIONS

Input	4-20mA
Output	0-30 psi
Air Consumption	4.0 scfh (0.11 m ³ /hr) at mid-range
Supply Pressure	100 psig (7.0 BAR) maximum.
Note: Supply pressure must be a minimum of 5 psig above maximum output.	
Flow Capacity at mid-range	4.5 scfm (7.6 m ³ /hr ³ at 25 psig (1.7 BAR) supply 12 scfm (20.0 m ³ /hr ³ at 100 psig (7.0 BAR) supply
Temperature Limits	
Operating	-40° to +160° F (-40° to +71° C)
Storage	-40° to + 200° F (-40° to + 93° C)
Loop Load, I/P Transducer	7.5 VDC @ 20mA



PHYSICAL SPECIFICATIONS

Port Sizes

Pneumatic	1/4" NPT
Electric	1/2" NPT

Media

Clean, dry, oil-free, air filtered to 40 micron

Mounting

Wall, panel, 2" pipe, yoke or DIN rail (optional)

MATERIALS

Housing:

Chromate treated aluminum with baked paint. NEMA-4X (IP65).

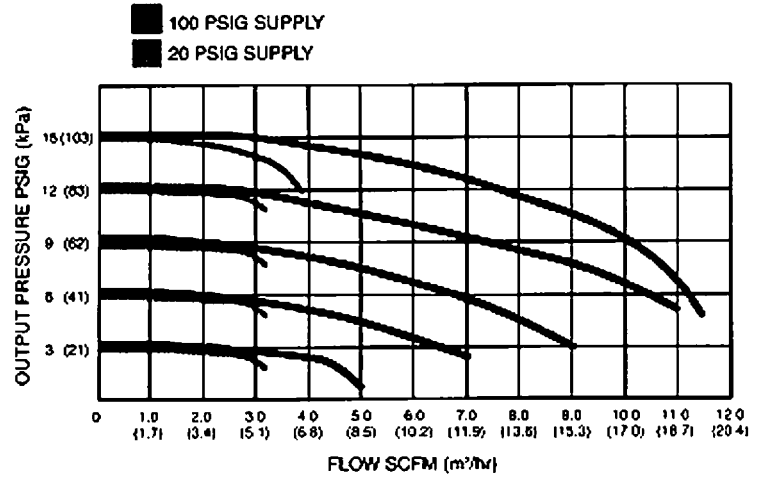
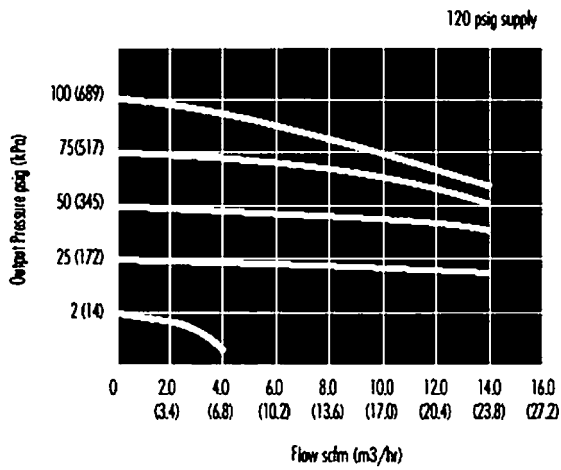
Elastomers: Buna-N.

Trim:

Stainless steel, brass, zinc plated steel

Weight - 13.0 oz. (0.4 kg)

Supply Voltage, E/P Transducer - 7-30 VDC, less than 3mA

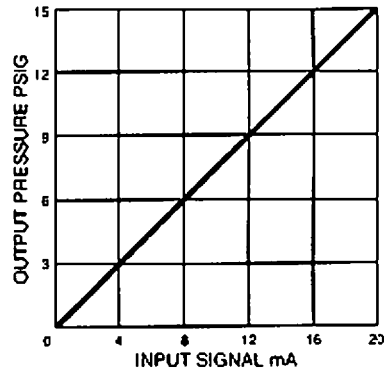


CALIFORNIA PROPOSITION 65 WARNING

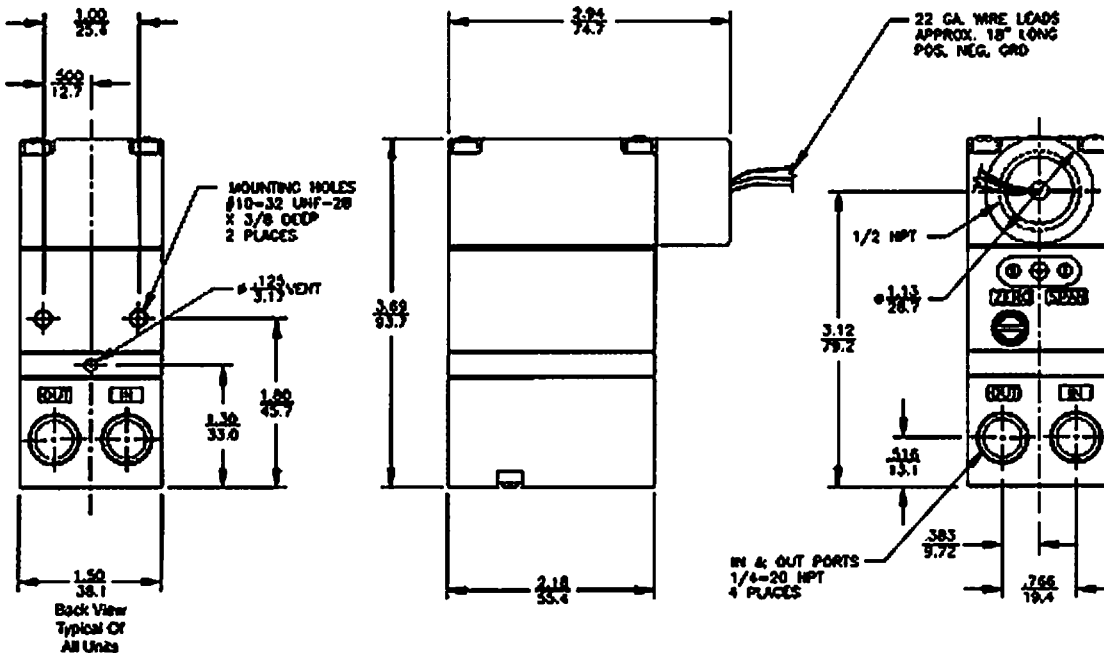
WARNING: This product contains chemicals known to the State of California to cause cancer and birth defects or other reproductive harm.

(Installer: California law requires that this warning be given to the consumer.)

For more information: www.wattsind.com/prop65



DIMENSIONS



POWERS
A WATTS INDUSTRIES CO.

Powers, a Watts Industries Co. USA Office Phone: 800-669-5430 • Canada Office Phone: 888.208.8927 • www.powerscontrols.com