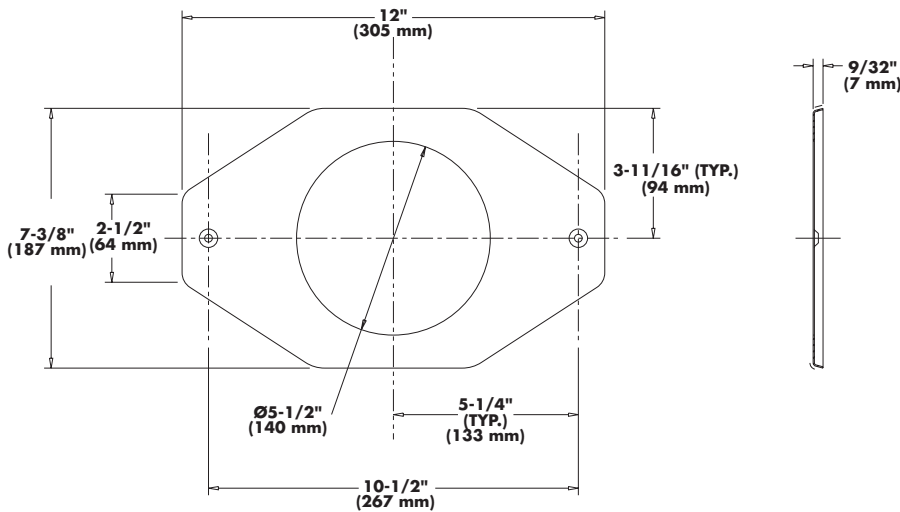


**SPECIFICATION**

**Description** ..... Remodeling Plate for 410 and 900 Valves  
**Material** ..... Stainless Steel  
**Finished** ..... Polished  
**Shipping Weight** ..... 1.0 lb. (0.5 kg.)

**DIMENSION**



**ENGINEERING APPROVAL**

Project: \_\_\_\_\_  
 Contractor: \_\_\_\_\_  
 Architect/Engineer: \_\_\_\_\_