

POWERS

A WATTS INDUSTRIES CO.

PRODUCT SPECIFICATION

Hydroguard Series e420 - Thermostatic Mixing Valves
Model e423 (3-port)

DESCRIPTION

Exposed thermostatic water mixing valve for use on shower and other installations. Powerful advanced thermal actuator compensates for both temperature and pressure fluctuations. A built-in adjustable temperature limit stop reduces chances of accidental scalding due to overadjustment of handle. Heavy cast-brass body, polish chrome-plated, die-cast, lever-type handle and corrosion-resistant material ensure years of trouble-free service.

See reverse for complete specification codes for valve and additional accessories.



SPECIFICATIONS, DIMENSIONS AND FLOW RATE CURVES & CHECKSTOPS

Connections:

Type 423 1/2" NPT Inlets and 1/2" NPT Top Outlet

Capacity (without checkstops) 5.25 gpm [19.9 L/min]* (±0.25 gpm [0.95 L/min])

Maximum Hot Water Supply Temperature 190°F [88°C]

Minimum Hot Water Supply Temperature (not applicable to low temperature hot water valves) 5°F [14°C] above set point

Maximum Operating Pressure 125 psig [862 kPa]

Temperature Ranges:

ASSE 1016 Type T 65-115°F [18-46°C]

ASSE 1016 Type T/P 90-110°F [32-43°C]

Temperature Limit Stop Adjustable* (factory set at 110°F [43°C])

Maximum Static Pressure 125 psig [862 kPa]

Minimum Flow and Pressure Differential: 1 gpm [3.79 L/min]

Wall Seal Gasket Furnished with Dial

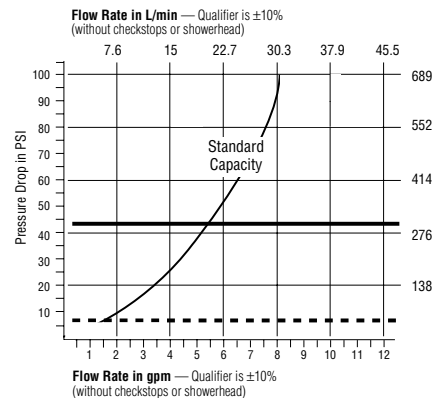
Dial Plate Color-Coded Temperature Scale

Shipping Weight 5 lbs. [2.3 kg]

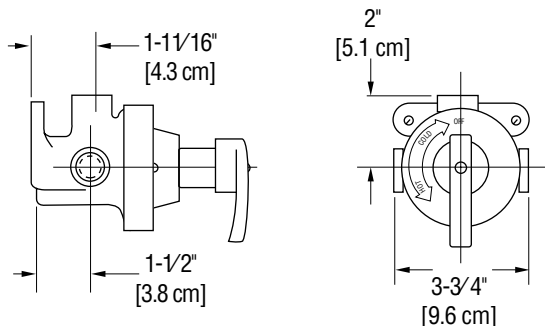
All Hydroguard Series e420 thermostatic mixing valves meet above performance specifications based on typical operating conditions as stated in ASSE 1016 (45 psi pressure differential, hot water supply between 140°-180°F [60-82°C], cold water supply less than 70°F [21°C]).

If your operating conditions vary from those stated in the standard, performance may vary as well. Consult your local sales representative or a Powers factory engineer to discuss your specific application. All Powers thermostatic mixing valves perform to the requirements of standards ASSE 1016 and CSA B125.

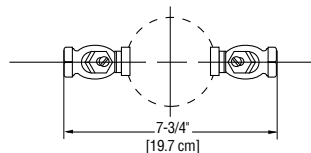
* At 45 psi differential [310 kPa], with hot water supply between 140°-180°F [60-82°C]. 50/50 mix.



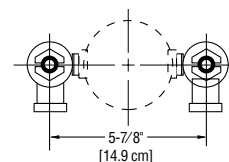
e423



Type B



Type F



HOW TO SPECIFY: TYPE 423 VALVES FOR SHOWER AND TUB/SHOWER SYSTEMS

Valves

See front page for selection of valve order code

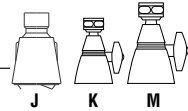
Order Code

Checkstops (Sold in Pairs)

- Concealed Straight, 1/2" IPS **A**
- Straight, 1/2" Sweat **C**
- Angled, 1/2" Sweat **D**
- Angled, with Strainer, 1/2" IPS **E**
- Exposed Straight, 1/2" IPS, Polished Chrome **B**
- Angled, with Strainer, 1/2" IPS, Polished Chrome **F**
- Factory installation of checkstops (Add suffix "X" to checkstop code) Min. order 10 **X**

Showerheads

- Economizer, Chrome-Plated ABS **J**
- Standard, Chrome-Plated Brass **K**
- Deluxe, Chrome-Plated Brass **M**
- Rainbeau, Chrome-Plated, Brass **N**



Arm and Flange Kits

- Standard Arm and Flange **1**
- Deluxe Arm and Flange **2**

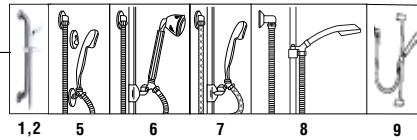
Tub Spouts

- Diverter, Chrome-Plated Brass, 3/4" IPS **Q**
- Non-Diverter, Chrome-Plated, 1/2" IPS **R**
- Diverter, Chrome-Plated, 1/2" IPS **S**
- Diverter, Chrome-Plated Brass, 1/2" IPS **T**
- Diverter, Chrome-Plated, 1/2" Slipfit **U**



Hand Shower Systems

- 24" Chrome ADA Wall Grab Bar System **1**
- 36" Chrome ADA Wall Grab Bar System **2**
- Deluxe, Metal Hose, 30" Slide Bar **3**
- Professional, Vinyl Hose, 30" Slide Bar **4**
- Standard, Metal Hose, Two Wall Hooks **5**
- Deluxe, Metal Hose, 24" Slide Bar **6**
- Professional, Vinyl Hose, 24" Slide Bar **7**
- Standard Plus, Metal Hose, 24" Slide Bar **8**
- European, Metal Hose, 23" Slide Bar **9**



Diverter

- Concealed Diverting Valve, 1/2" IPS **Y**
- Exposed Diverter, Shower Arm-Type, Chrome-Plated **Z**

Vacuum Breakers

- Vacuum Breaker, Elevated, Chrome-Plated **V**
- Vacuum Breaker, In-Line **W**

ENGINEERING APPROVAL

Project: _____

Contractor: _____

Architect/Engineer: _____

POWERS
A WATTS INDUSTRIES CO.

© Feb. 2002 Powers, a Watts Industries Co.
USA Phone: 800.669.5430
www.powerscontrols.com
Canada Phone: 888.208.8927