

# POWERS

A WATTS INDUSTRIES CO.

## PRODUCT SPECIFICATION

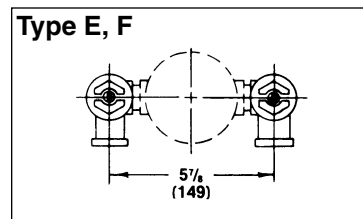
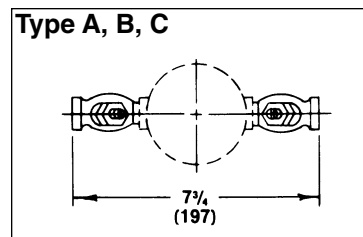
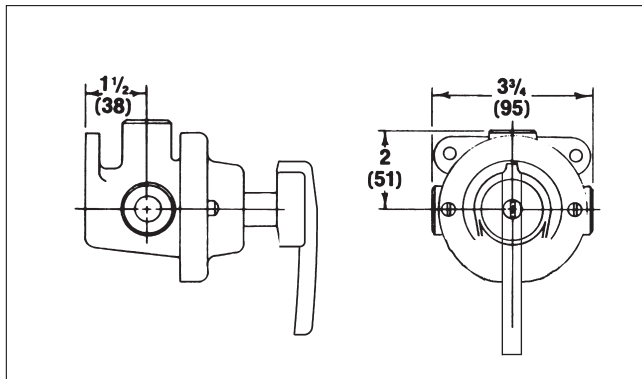
Hydroguard Series 410 Exposed  
Pressure Balancing Mixing Valves  
Type P419

### SPECIFICATIONS

**Connections** ..... 1/2" NPT inlets and outlets  
**Capacity** ..... 6.0 gpm @ 45 psi differential [.38 l/s]  
**Maximum Operating Pressure** ..... 125 psig  
**Adjustable Limit Stop** ..... Standard  
**Agency Approval** ..... CSA, ASSE 1016

### APPLICATIONS

Exposed pressure balancing water mixing valve for use on shower installations. Uses diaphragm type chamber to prevent lime build-up. Adjustable limit stop reduces possible over-adjustment of handle. Heavy case bronze chrome plated body and trim, die cast lever type handle, and corrosion resistant material throughout ensure years of trouble free service.



**SPECIFICATION FOR SHOWER AND TUB/SHOWER SYSTEMS - FOR SERIES 410 VALVES**

To order complete Series 410 systems...

**Valves**

See front page for selection of valve order code

Order Code

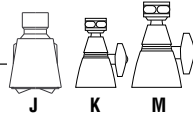
□ □ □ □ - □ - □ - □ - □ - □ - □

**Checkstops (Sold in Pairs)**

- Concealed Straight, 1/2" IPS ..... **A**
- Straight, 1/2" Sweat ..... **C**
- Angled, 1/2" Sweat ..... **D**
- Exposed Straight, 1/2" IPS, Chrome-Plated ..... **B**
- Angled, with Strainer, 1/2" IPS, Chrome-Plated ..... **F**
- Factory installation of checkstops (Add suffix "X" to checkstop code) Min. order 10 ..... **X**

**Showerheads**

- Economizer, Chrome-Plated ABS, Adjustable ..... **J**
- Standard, Chrome-Plated Brass ..... **K**
- Rainbeau, Chrome-Plated, Brass ..... **N**
- Deluxe, Chrome-Plated Brass ..... **M**



**Arm and Flange Kits**

- Standard Arm and Flange ..... **1**
- Deluxe Arm and Flange ..... **2**

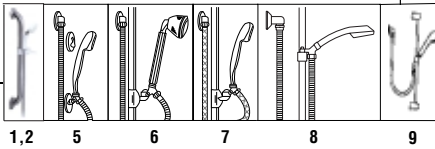
**Tub Spouts**

- Diverter, Chrome-Plated Brass, 3/4" IPS ..... **Q**
- Non-Diverter, Chrome-Plated, 1/2" IPS ..... **R**
- Diverter, Chrome-Plated, 1/2" IPS ..... **S**
- Diverter, Chrome-Plated Brass, 1/2" IPS ..... **T**
- Diverter, Chrome-Plated, 1/2" Slipfit ..... **U**



**Hand Shower Systems**

- 24" Chrome ADA Wall Grab Bar System ..... **1**
- 36" Chrome ADA Wall Grab Bar System ..... **2**
- Deluxe, Metal Hose, 30" Slide Bar ..... **3**
- Professional, Vinyl Hose, 30" Slide Bar ..... **4**
- Standard, Metal Hose, Two Wall Hooks ..... **5**
- Deluxe, Metal Hose, 24" Slide Bar ..... **6**
- Professional, Vinyl Hose, 24" Slide Bar ..... **7**
- Standard Plus, Metal Hose, 24" Slide Bar ..... **8**
- European, Metal Hose, 23" Slide Bar ..... **9**



**Diverter**

- Concealed Diverting Valve, 1/2" IP ..... **Y**
- Exposed Diverter, Shower Arm-Type, Chrome-Plated ..... **Z**

**Vacuum Breakers**

- Vacuum Breaker, Elevated, Chrome-Plated ..... **V**
- Vacuum Breaker, In-Line ..... **W**

**ENGINEERING APPROVAL**

Project: \_\_\_\_\_  
 Contractor: \_\_\_\_\_  
 Architect/Engineer: \_\_\_\_\_

**POWERS**  
 A WATTS INDUSTRIES CO.

© Feb. 2002 Powers, a Watts Industries Co.  
 USA Phone: 800.669.5430  
 www.powerscontrols.com  
 Canada Phone: 888.208.8927