

### INSTALLATION INSTRUCTIONS

**Note:**

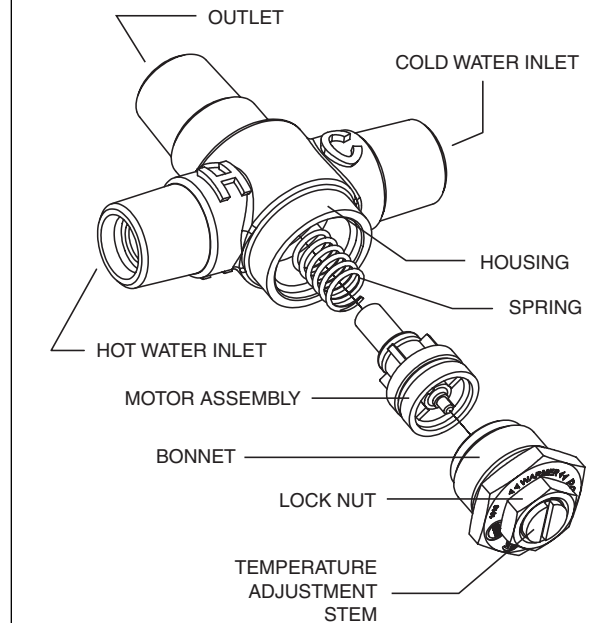
Installation should be in accordance with accepted plumbing practices. Flush all piping thoroughly before installation.

1. Turn off hot and cold water supplies.
2. Unscrew Bonnet and remove the top assembly.
3. Pull out the motor assembly, make sure spring stay inside the body.
4. Ensure the inside of the body is free of deposits and debris. Clean as necessary.
5. Insert the motor replacement kit into the body.
6. Screw Bonnet into the housing. Tighten it to 100 +/- 10 in-lbs.
7. Turn on the hot and cold water supplies. Check for leaks.
8. Turn on fixture and allow water to flow for 2 minutes. Measure water temperature at outlet. If water is not at the desired temperature, adjust as follows:

### TO ADJUST TEMPERATURE

1. Loosen locknut.
2. Turn on fixture and run water for at least two (2) minutes to allow supply temperature to stabilize.
3. Turn temperature adjustment stem counter-clockwise for hotter or clockwise for colder outlet temperature.
4. Tighten locknut to prevent accidental or unauthorized temperature adjustment.
5. Re-check outlet temperature.

Figure 1



#### CALIFORNIA PROPOSITION 65 WARNING

**WARNING:** This product contains chemicals known to the State of California to cause cancer and birth defects or other reproductive harm. (California law requires this warning to be given to customers in the State of California.)  
For more information: [www.wattsind.com/prop65](http://www.wattsind.com/prop65)