

POWERS

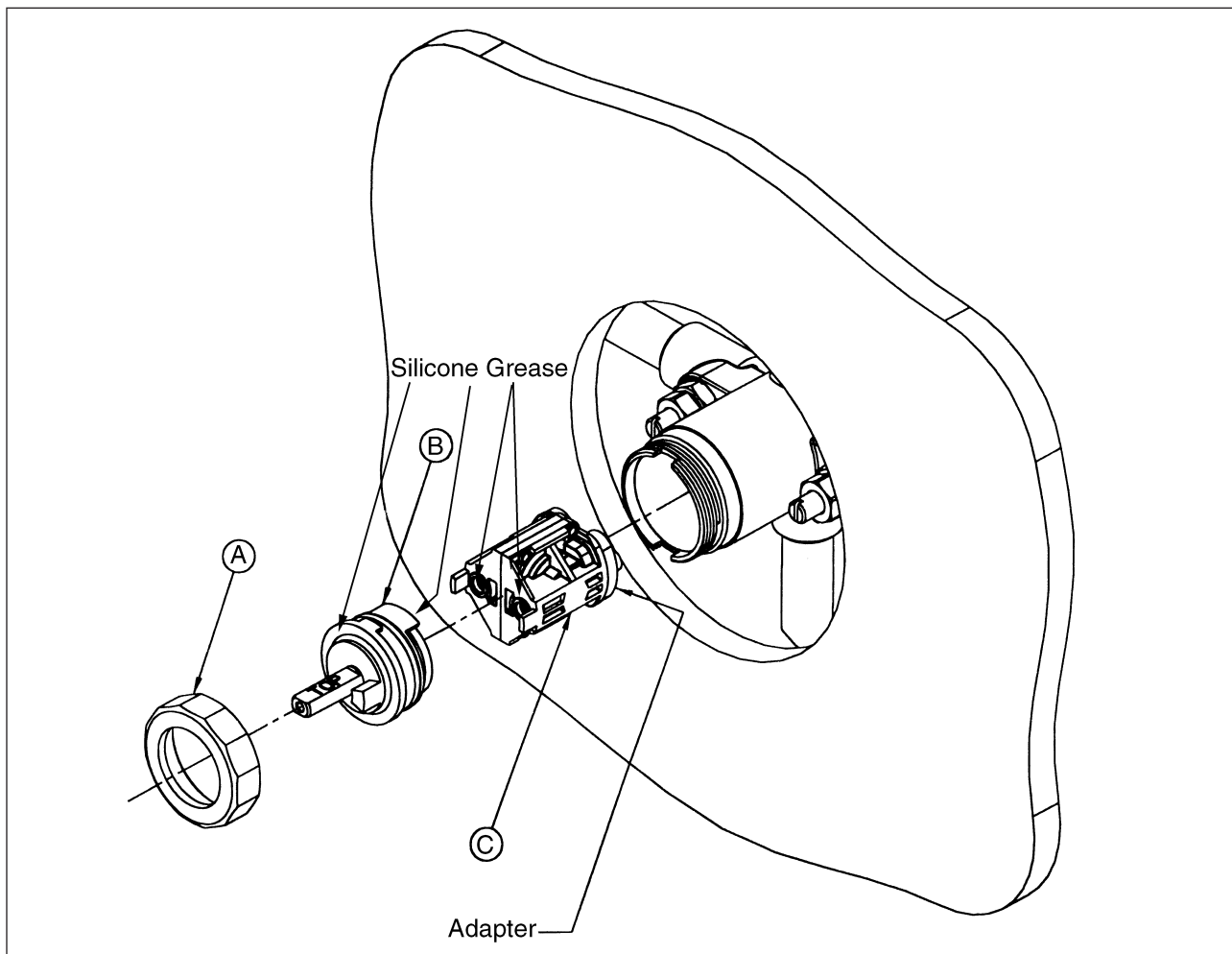
A WATTS INDUSTRIES CO.

INSTALLATION INSTRUCTIONS

**BILTMORE SERIES 900
Pressure Balancing Valves**

TO INSTALL

1. Remove "A" (Bonnet nut) and "B" (Bonnet assembly).
2. Remove old cartridge "C".
3. Apply Silicone Grease to areas indicated by the arrows.
4. Place adapters onto back of cartridge.
5. Place "C" (Cartridge assembly) into valve body. Be careful to align adapters with holes in the body.
6. Replace "B" (Bonnet assembly). *Note that the word "TOP" is stamped into the stem.* Make sure the word "TOP" is facing upward.
7. Replace "A" (Bonnet nut).

**CALIFORNIA PROPOSITION 65 WARNING**

WARNING: This product contains chemicals known to the State of California to cause cancer and birth defects or other reproductive harm. (Installer: California law requires that this warning be given to the consumer.)

For more information: www.wattsind.com/prop65

POWERS

A WATTS INDUSTRIES CO.

USA office: Phone: 800.669.5430 • Fax: 847.824.0627
www.powerscontrols.com

Canadian office: Phone: 888.208.8927 • Fax: 888.882.1979

© 2002 Powers, a Watts Industries Co.