

# POWERS

A WATTS INDUSTRIES CO.

## INSTALLATION INSTRUCTIONS

**BILTMORE Series 900 Valves**  
Thin Wall Mounting Kit #900-119

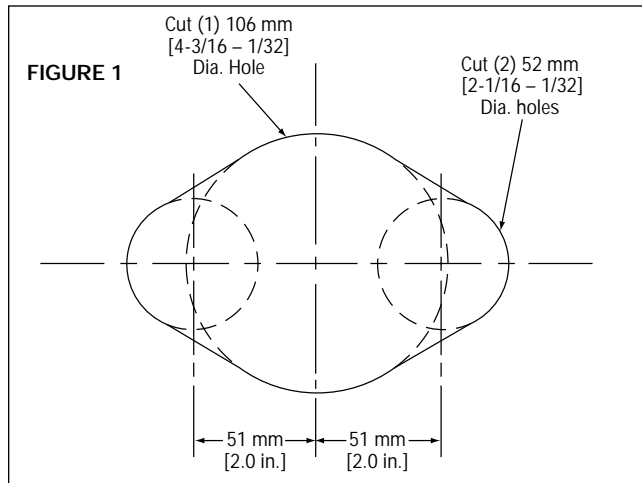
**NOTE:** Installation should be in accordance with accepted plumbing practices. Flush all piping thoroughly before installation.

### KIT CONTENTS

QTY	DESCRIPTION	PART NO.
1	Thin Wall Mounting Bracket . . . . .	900-118

### TO INSTALL

1. Mount the thin wall mounting bracket before the wall is in place.
2. If the wall is in place, cut rough-in dimensions as shown in Figure 1.

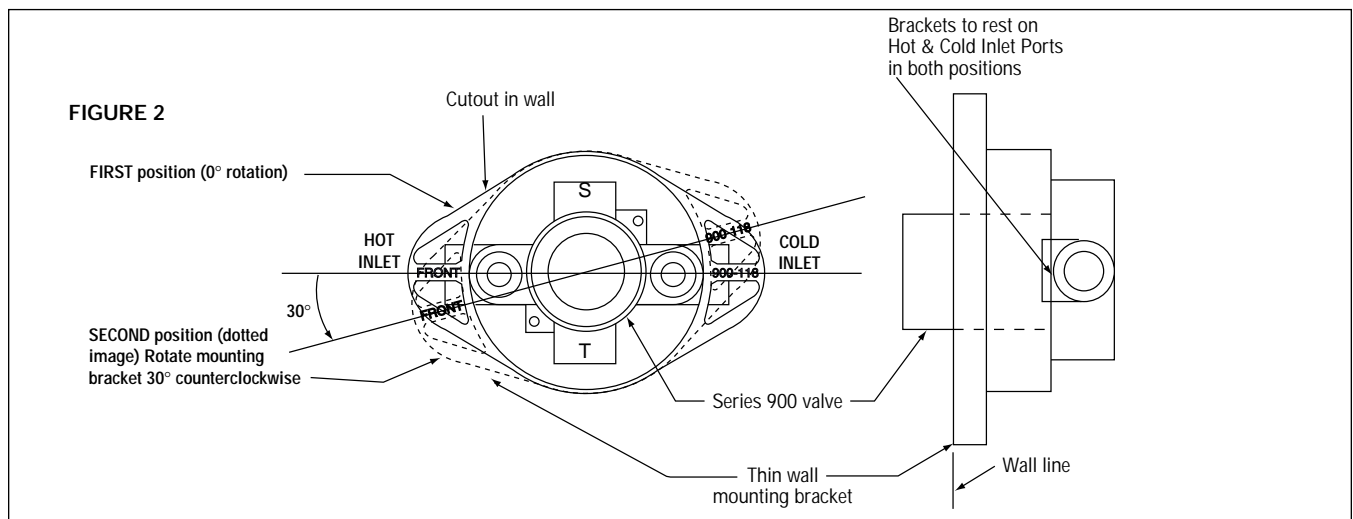


3. Position the thin wall mounting bracket over the bonnet of the Biltmore Series 900 Mixer, shown in Figure 2, as "First Position."
4. Rotate the bracket 30° counterclockwise, shown in Figure 2, as "Second Position."
5. Installation of the valve trim should be completed according to installation instruction furnished with the Biltmore Series 900 Mixer.

### CALIFORNIA PROPOSITION 65 WARNING

**WARNING:** This product contains chemicals known to the State of California to cause cancer and birth defects or other reproductive harm. (Installer: California law requires that this warning be given to the consumer.)

For more information: [www.wattsind.com/prop65](http://www.wattsind.com/prop65)



**POWERS**  
A WATTS INDUSTRIES CO.

USA office: Phone: 800.669.5430 • Fax: 847.824.0627  
[www.powerscontrols.com](http://www.powerscontrols.com)  
Canadian office: Phone: 888.208.8927 • Fax: 888.882.1979  
© 2002 Powers, a Watts Industries Co.