

New!

HydroGuard® **Series LM495**



Thermostatic Tempering Valves
For Individual Lavatory Installations

POWERS™

Water Tempering Innovation Since 1891

description

HydroGuard® Series LM495 Under-the-Counter Thermostatic Valves are designed for lavatory applications where the temperature of hot water must be controlled for safe, economic use. An advanced thermal actuator quickly senses and compensates for outlet temperature fluctuations induced by water temperature and pressure changes in the supply line. The Series LM495 features Powers' advanced paraffin-based actuation technology, integral checks and inlet screens to prevent cross-flow and contamination.

Rugged construction features solid brass body and corrosion-resistant internal components ensuring years of dependable, trouble-free service. Temperature adjustment handle is simple to adjust and has a locking mechanism to prevent tampering. The HydroGuard Series LM495 is ASSE 1016, 1070 listed and CSA B125 certified.



features and benefits

Powers' Series LM495 under-the-counter thermostatic valves provide safe, tempered water delivery to fixture fittings, insuring user safety and minimizing owner liability.

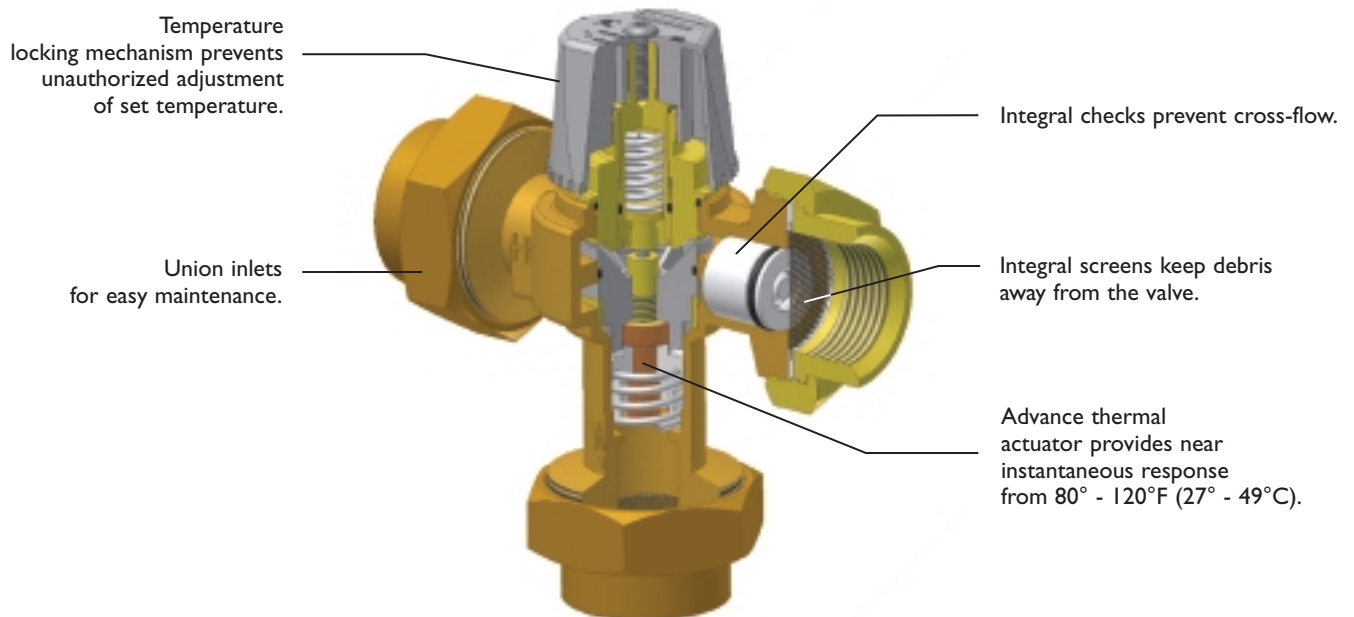
- Temperature control to ASSE 1016, 1070 down to 0.5 gpm
- Advanced thermal actuator improves performance
- Adjustable temperature selection with locking mechanism to prevent tampering
- Polysulfone plunger for extended life
- Solid brass construction enhances durability
- Union connections for easy maintenance
- Integral checks and screens prevent cross-flow and contamination
- Available in 1/2", 3/4" and 1" with union NPT Female, Sweat, CPVC and PEX connections



The Series LM495 allows facilities to distribute water at higher temperatures, minimizing the potential occurrence of Legionella and other known bacteria which can be present at temperatures below 131°F (50°C). Ideal for low flow faucets in:

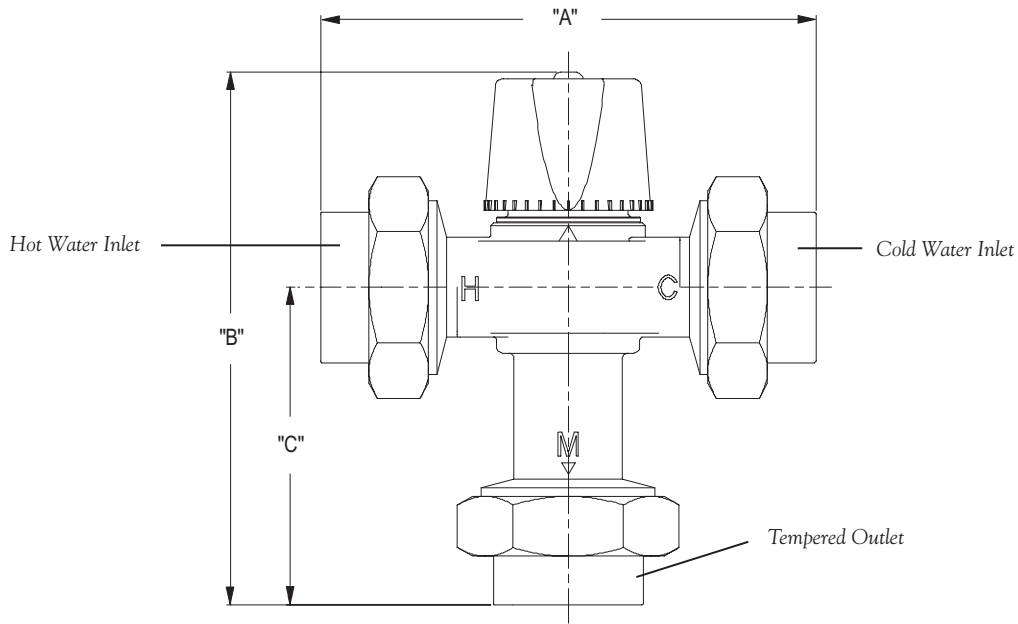
- schools
- public restrooms
- hotels/motels
- sports facilities
- healthcare facilities
- correctional facilities
- office buildings

an inside look at quality



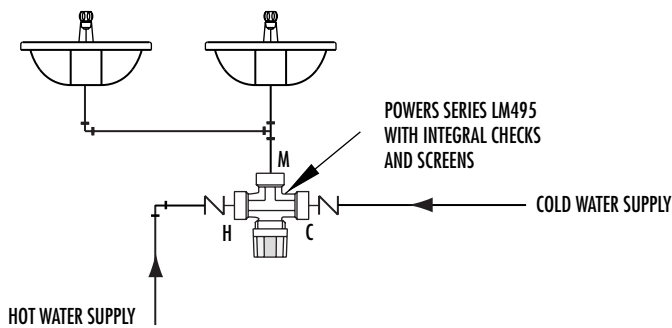
d i m e n s i o n s

Model	LM495-1	LM496-1	LM497-1	LM495-2	LM496-2	LM497-2	LM495-3	LM496-3	LM497-3	LM495-4	LM496-4	LM497-4
Connections	1/2" NPT Female	3/4" NPT Female	1" NPT Female	1/2" Sweat	3/4" Sweat	1" Sweat	1/2" CPVC	3/4" CPVC	1" CPVC	1/2" PEX	3/4" PEX	1" PEX
"A"	4.89 (124.2mm)	4.89 (124.2mm)	5.31 (134.9mm)	4.83 (122.7mm)	5.31 (134.9mm)	5.81 (147.6mm)	4.75 (120.7mm)	5.23 (132.8mm)	6.67 (144.0mm)	5.25 (133.4mm)	5.49 (139.5mm)	5.87 (149.1mm)
"B"	5.41 (137.4mm)	5.41 (137.4mm)	5.62 (142.7mm)	5.38 (136.7mm)	5.62 (142.7mm)	5.87 (149.1mm)	5.34 (135.6mm)	5.58 (141.7mm)	5.80 (147.3mm)	5.59 (142.0mm)	5.71 (145.0mm)	5.90 (149.9mm)
"C"	3.16 (80.2mm)	3.16 (80.2mm)	3.37 (85.6mm)	3.13 (79.5mm)	3.37 (85.6mm)	3.62 (91.9mm)	3.09 (78.5mm)	3.33 (84.6mm)	3.55 (90.2mm)	3.34 (84.8mm)	3.46 (87.9mm)	3.65 (92.7mm)



a p p l i c a t i o n d i a g r a m s

With Single Faucets



With Single/Two Handle Faucets

