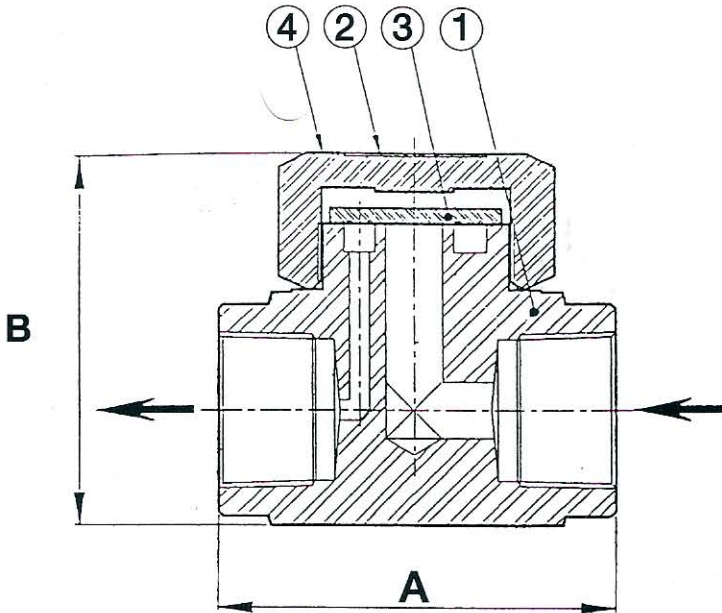


CONNECTIONS: Screwed NPT



Working Conditions

PMO: 600 PSI @ 850° F

Minimum Operating Pressure: 4 PSI

Maximum Back Pressure: 80% of the inlet pressure

Model#		TK-1	TK-2	TK-3	TK-4
DN	DIM.	3/8"	1/2"	3/4"	1"
Dim. appr. in	A	2.0	2.7	2.8	3.3
	B	1.8	2.0	2.4	2.9
Weight Lb.		1.1	1.3	2.0	3.3

TK Series Applications include:

- Hi-Pressure Drips
- Industrial Processing Equipment
- Pressing Machines
- Small Dryers
- Steam Tracing
- Tanks

ITEM	PART	MATERIAL
1	Body	Stainless Steel AISI 420
2	Cover	Stainless Steel AISI 420
3	Disc	Stainless Steel AISI 420
4	Label	Stainless Steel AISI 304
Optional		Insulating Cap

Some of the benefits of using the Barnes & Jones TK Series Thermodynamic Trap:

- Only one moving part to assure low maintenance.
- Lightweight and compact - no larger than a pipe tee.
- All working surfaces are hardened stainless steel.
- Condensate is discharged at saturated steam temperatures.
- Closes tight with no steam loss.

Size/Model	CAPACITIES - Condensate (lbs/hr)																				
	Pressure (PSIG)																				
	3.5	5	10	15	20	25	30	40	50	75	100	150	200	250	300	350	400	450	500	550	600
3/8" - TK-1	181	186	192	197	202	217	222	233	253	314	379	504	624	715	805	830	905	1075	1125	1190	1295
1/2" - TK-2	301	316	351	381	416	441	471	516	581	712	827	1022	1167	1302	1443	1568	1673	1778	1883	1964	2064
3/4" - TK-3	416	431	476	521	566	611	651	722	827	1022	1187	1482	1712	1952	2114	2269	2494	2629	2785	2990	3145
1" - TK-4	651	681	741	816	886	941	1002	1082	1227	1502	1802	2217	2628	2938	3303	3603	3873	4123	4354	4564	4844

Note: Maximum back pressure not to exceed 80% of inlet pressure (measured in absolute pressure) or trap may not close